

Y STRAINERS IS140

DESCRIPTION

The ADCA IS140 is a series of Y strainers applicable in all types of steam, water, oil and air systems.

Their purpose is to protect equipment, such as steam traps and regulating valves, from dirt and impurities which often cause damage and consequent downtime and energy loss.

OPTIONS: Different screen aperture sizes.
Drain plug or drain valve in strainer cap.

USE: Saturated steam, water, oil, air and other fluids compatible with the construction materials.

AVAILABLE

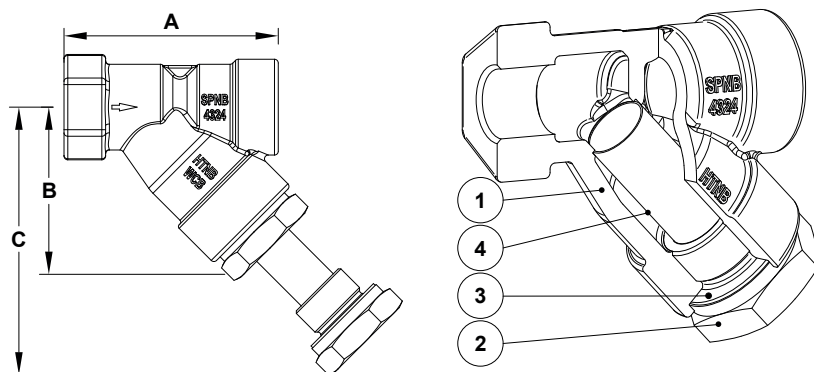
MODELS: IS140S – cast steel.
IS140i – stainless steel.

SIZES: 1/2" to 2".

SCREENS: 1 mm aperture (standard).
0,45 mm aperture.
1,5 mm aperture.
Others on request.

CONNECTIONS: Female threaded ISO 7 Rp or NPT.

INSTALLATION: Horizontal or vertical downwards installation.
See IMI – Installation and maintenance instructions.



MATERIALS			
POS. No.	DESIGNATION	IS140S	IS140i
1	Body	A216 WCB / 1.0619	A351 CF8M / 1.4408
2	Cap	A105 / 1.0432	AISI 316 / 1.4401
3	* Gasket	St. steel / Graphite	St. steel / Graphite
4	* Strainer screen	AISI 304 / 1.4301	AISI 304 / 1.4301

* Available spare parts.

CE MARKING – GROUP 2 (PED – EUROPEAN DIRECTIVE)	
PN 40	CATEGORY
1/2" to 11/4"	SEP
11/2" and 2"	1 (CE marked)

BODY LIMITING CONDITIONS *		
IS140S ALLOWABLE PRESSURE	IS140i ALLOWABLE PRESSURE	RELATED TEMPERATURE
40 bar	40 bar	-10 / 50 °C
33,3 bar	33,7 bar	200 °C
27,6 bar	29,7 bar	300 °C
25,7 bar	28,5 bar	350 °C
23,8 bar	27,4 bar	400 °C

* Rating according to EN 1092-1:2018

DIMENSIONS (mm)				
SIZE	A	B	C	WEIGHT (kg)
1/2"	85	63	107	0,6
3/4"	100	80	139	1
1"	115	87	155	1,5
11/4"	143	107	192	2,5
11/2"	160	125	215	3,6
2"	198	142	242	5,7