

HYGIENIC SAMPLING VALVES HSV

DESCRIPTION

The ADCAPure HSV is a series of hygienic sampling valves designed for use in high purity steam, WFI, pure water, and other systems for means of sampling.

These valves may also be used in other pharmaceutical applications where a hygienic design self-drainable manual valve is required.

MAIN FEATURES

- Compact self drainable design.
- Fully autoclavable.
- Fine stem thread for precise flow regulation.
- Easily replaceable FDA / USP Class VI compliant seals.

STANDARD SURFACE FINISH

- Internal wetted parts: $\leq 0,51 \mu\text{m Ra} - \text{SF1}$.
- External: $\leq 0,76 \mu\text{m Ra} - \text{SF3}$.
- Other surface conditions see TIS.GIA – General information ADCAPure.
- Ultrasonic cleaning.

OPTIONS: Low ferrite stainless steel, C22, and other alloys. Other constructions on request.

USE: Clean steam, pure water, gases, and liquids compatible with the construction.

AVAILABLE MODELS: HSV

SIZES: 1/2" x 1/2"; 1" x 1/2"

CONNECTIONS: ASME BPE clamp ferrules. Others on request.

INSTALLATION: With the handle at the top or side. See IMI - Installation and maintenance instructions.



CE MARKING – GROUP 2 (PED – European Directive)

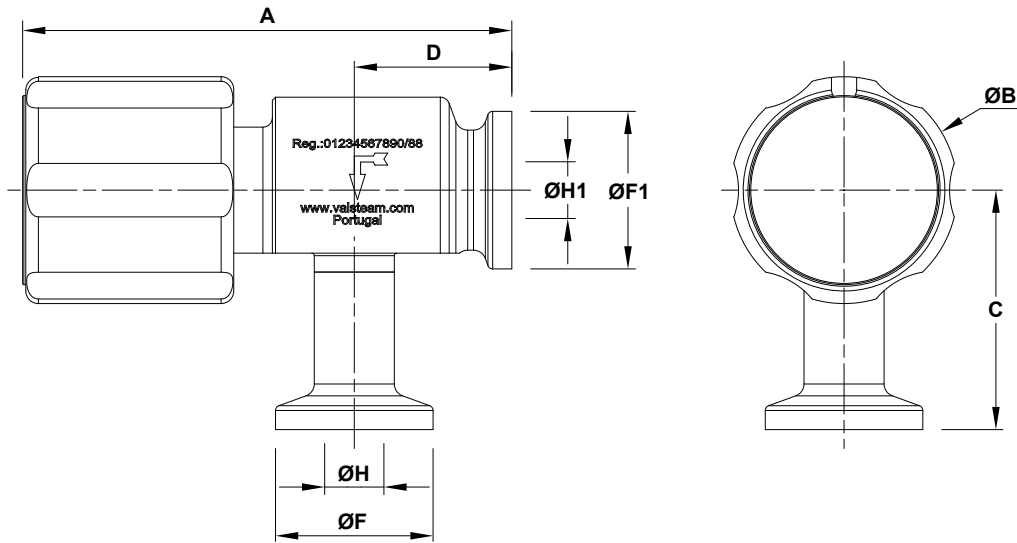
PN10	Category
All sizes	SEP

LIMITING CONDITIONS *

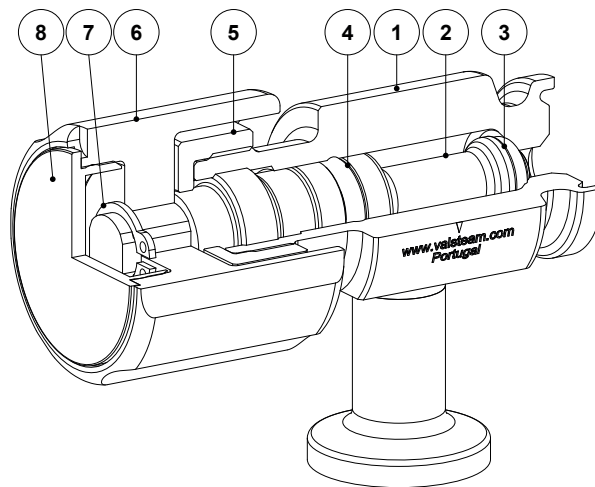
Maximum operating pressure	10 bar
Maximum operating temperature **	180 °C
Minimum operating temperature	-10 °C

* Other limits on request. Maximum operating conditions may be limited by the valve end connections due to normative restrictions.

** See "Ordering Codes" table for restrictions.



DIMENSIONS (mm)									
SIZE	A	ØB	C	D	ØF	ØF1	ØH	ØH1	WEIGHT (kg)
1/2" X 1/2"	81	36	38	25	25	25	9,4	9,4	0,3
1" X 1/2"	81	36	45	25	25	50,5	9,4	22,1	0,4



MATERIALS		
POS. N°	DESIGNATION	MATERIAL
1	Valve body	** AISI 316L / 1.4404; AISI 316L / 1.4435; Alloy C22 / 2.4602
2	Valve stem	** AISI 316L / 1.4404; AISI 316L / 1.4435; Alloy C22 / 2.4602
3	* Valve seal	** EPDM; FFKM
4	* O-ring	** EPDM; FFKM
5	Locking nut	AISI 316L / 1.4404
6	Handwheel	POM-C
7	Circlip	Stainless steel
8	Cover nut	Nylon

* Available spare parts; ** Others on request.

Remarks: FDA / USP Class VI seals certificate on request.

All valves have a serial number. In case of non-standard valves, this number must be supplied if spare parts are ordered.



ORDERING CODES HSV												
Valve model	HSV	1	X	E	X	X	D	D	15	15	E	
HSV – Hygienic sampling valve	HSV											
Valve series												
Series 1		1										
Material												
AISI 316L / 1.4404			X									
AISI 316L / 1.4435			I									
Alloy C22 / 2.4602			H									
Valve sealing												
EPDM - Tmax 150 °C (180 °C with steam and hot water)				E								
FFKM				K								
Surface finish a)												
Standard surface finish					X							
Mirror mechanical polished external parts (SF1)					P							
Electropolished internal wetted parts (SF5)					E							
Special features												
None						X						
Inlet pipe connection												
Clamp ferrule ASME BPE							D					
Inlet size												
1/2"								15				
1"								25				
Outlet pipe connection												
Clamp ferrule ASME BPE									D			
Outlet size												
1/2"										15		
Special construction / Additional options												
Full description or additional codes must be added in case of a non-standard combination											E	

a) Consult TIS.GIA – General information ADCAPure – for further details and other surface finish options.