

## INVERTED BUCKET STEAM TRAPS UIB36 (For use with universal pipeline connectors)

### DESCRIPTION

The UIB36 series inverted bucket steam traps, completely in stainless steel, are maintenance free and sealed. These steam traps operate intermittently, and are suitable for use with low to high pressure saturated or superheated steam.

Typical applications include drip points, steam tracing lines, dryers, chemical and laundry equipment.

These traps fit the UCX universal connectors and CTS4U compact stations.

### MAIN FEATURES

Sealed, non-maintainable.

Two bolt swivel connector.

Intermittent discharge.

Discharges condensate at steam temperature.

USE: Saturated and superheated steam.

### AVAILABLE

MODELS: UIB36-5 , 10, 15 and 27 – stainless steel.

SIZES: According to the selected pipeline connector.

INSTALLATION: With the protruding body section pointing downwards.

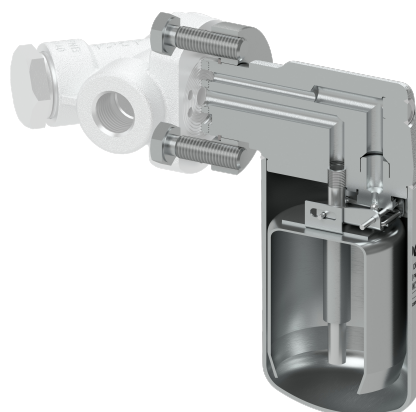
See IMI – Installation and maintenance instructions.

ΔPMX: UIB36-5 – 5 bar

UIB36-10 – 10 bar

UIB36-15 – 15 bar

UIB36-27 – 27 bar



BODY LIMITING CONDITIONS *	
PN 40	RELATED TEMPERATURE
ALLOWABLE PRESSURE	
40 bar	-10 / 50 °C
36,3 bar	100 °C
29,9 bar	200 °C
25,7 bar	300 °C
23,8 bar	400 °C

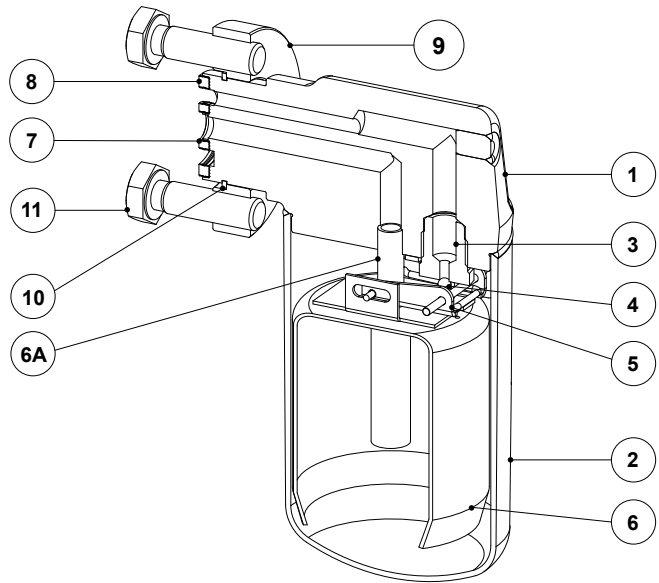
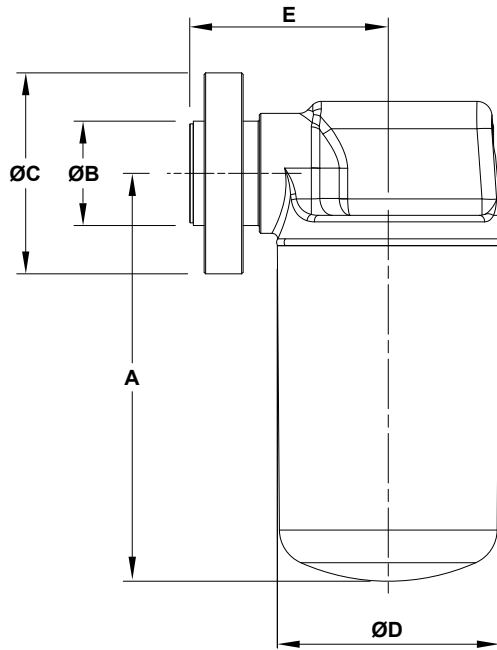
PMO – Maximum operating pressure: 27 bar.

TMO – Maximum operating temperature: 400 °C.

\* According to EN 1092-1:2018.

Remark: The pipeline connector may restrict the operating conditions to a lower rating.

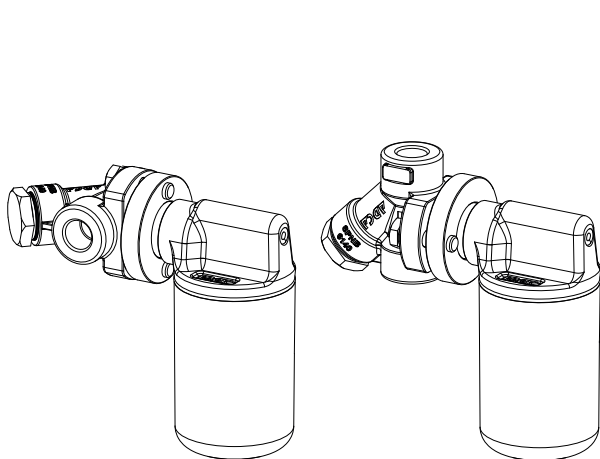
FLOW RATE CAPACITY (kg/h)													
MODEL	DIFFERENTIAL PRESSURE (bar)												
	1	2	3	4	5	6	7	8	9	10	15	20	27
UIB36-5	290	400	495	550	610	–	–	–	–	–	–	–	–
UIB36-10	225	300	350	395	420	470	490	520	540	560	–	–	–
UIB36-15	190	255	295	330	370	390	410	445	465	490	520	–	–
UIB36-27	130	180	210	225	265	285	300	315	340	355	415	450	470



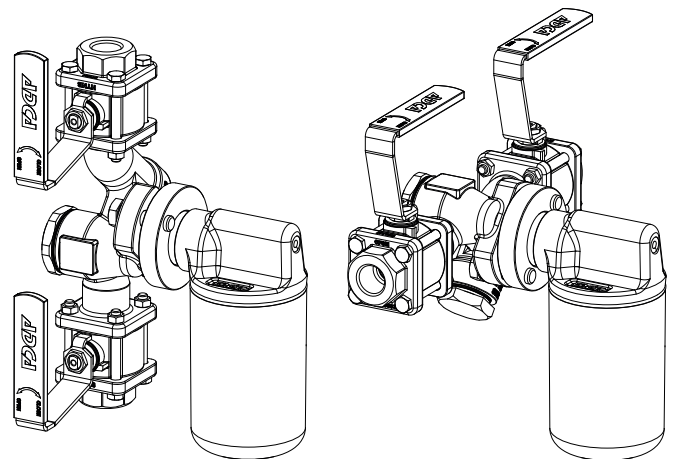
DIMENSIONS (mm)						
MODEL	A	ØB	ØC	ØD	E	WEIGHT (kg)
UIB36	136	34,8	67	73,98	66,2	2,1

MATERIALS					
POS. N°	DESCRIPTION	MATERIAL	POS. N°	DESCRIPTION	MATERIAL
1	Body	AISI 316L / 1.4404	6A	Inlet tube	AISI 316L / 1.4404
2	Cover	AISI 304 / 1.4301	7	* Inlet gasket	Stainless steel / Graphite
3	Valve seat	Hardened stainless steel	8	* Outlet gasket	Stainless steel / Graphite
4	Valve	Hardened stainless steel	9	Flange	AISI 316 / 1.4401
5	Lever	AISI 304 / 1.4301	10	Retaining ring	Steel
6	Bucket	AISI 304 / 1.4301	11	Bolt	ASTM A193 Gr. B7

\* Available spare parts.



UIB36 steam trap connected to a UCX41 universal pipeline connector



UIB36 steam trap connected to a CTS4U universal compact trapping station