

BLOWDOWN / DEPRESSURIZATION AND VENT VALVES BDV, BDVL, HVV and AFZ

DESCRIPTION

The ADCA BDV, AFZ and HVV vent valves are designed to drain (blowdown) or vent (depressurize) pipework, steam traps, valves and others.

USE: BDV – Blowdown valves – Manual discharge of strainer screen contents and generally to be used as a drain and/or depressurization valve.

BDVL – Same as above, but also allows the discharge to be connected to a safe location.

HVV – Hand vent valves – Venting of float traps and generally to be used as a vent or depressurization valve.

AFZ – Anti-freeze device – Automatic discharge of condensate from steam traps, valves, pipelines and others, to prevent the condensate from freezing inside.

AVAILABLE MODELS:

BDV, BDVL, AFZ and HVV.

SIZES:

3/8" and M22.

CONNECTIONS:

NPT-M.
ISO 228.
Metric fine pitch.



BDV



BDVL



AFZ



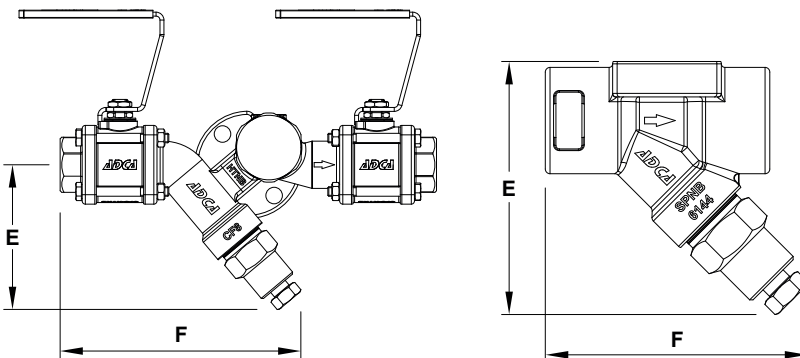
HVV

CE MARKING – GROUP 2 (PED – European Directive)

PN 100	Category
3/8" and M22	SEP

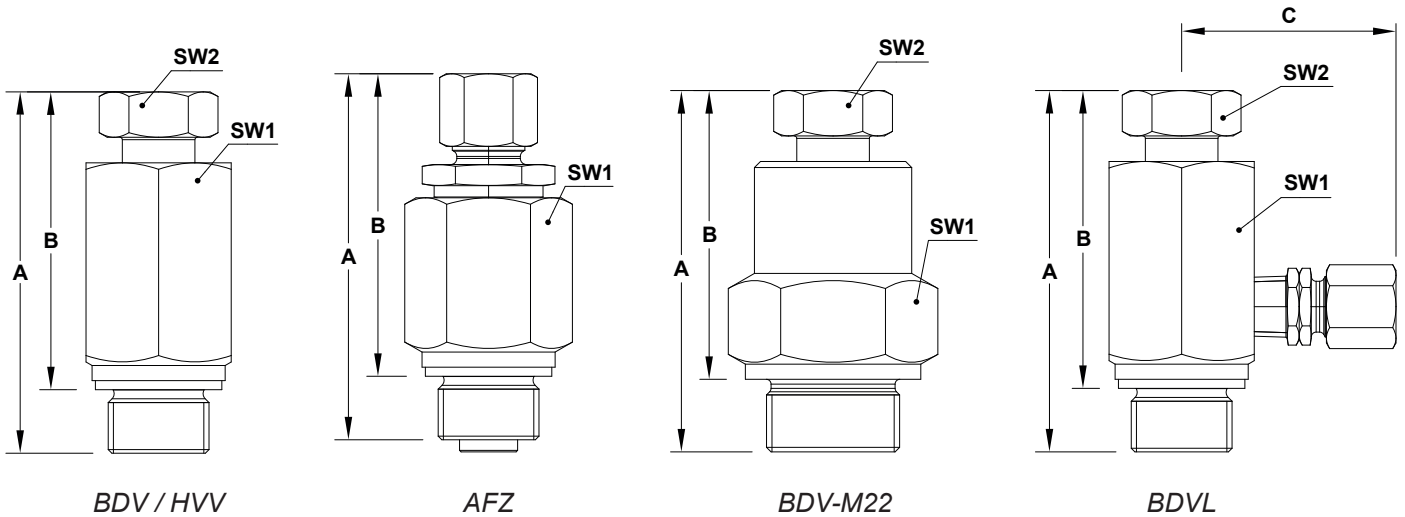
LIMITING CONDITIONS

Body design conditions	PN 100
TMO – Maximum operating temperature	400 °C
PMO – Maximum operating pressure	42 bar
AFZ opening pressure	≈ 0,2 bar
AFZ closing pressure	≈ 0,3 bar



DIMENSIONS WHEN APPLYING BDV TO STEAM TRAPS AND UNIVERSAL CONNECTORS (mm)

SIZE	BDV SIZE	STEAM TRAP MODEL															
		DT46		DT42/2		TH32		BM20		BM32		CDV		UCX41		CTS4U	
		E	F	E	F	E	F	E	F	E	F	E	F	E	F		
1/2" – DN 15	M22	83	94	83	94	83	94	83	94	83	94	83	94	83	102	94	148
3/4" – DN 20	M22	83	94	83	94	83	94	83	94	83	94	83	94	83	102	94	148
1" – DN 25	M22	90	100	90	100	90	100	90	100	90	100	90	100	83	108	–	–

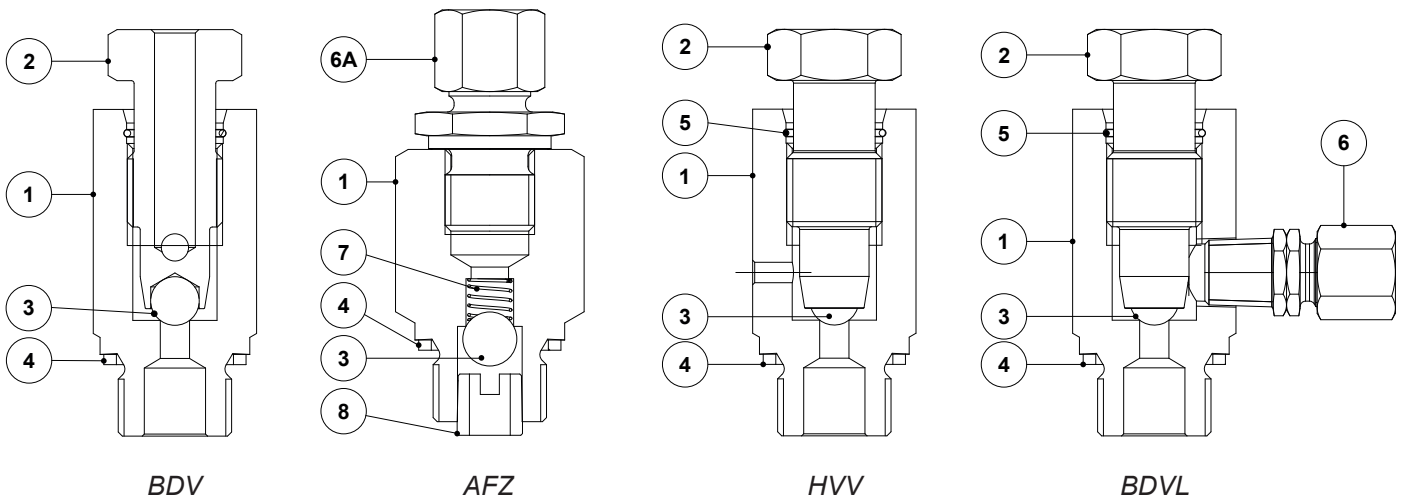


DIMENSIONS – BDV (mm)					
SIZE	A	B	SW1	SW2	WEIGHT (kg)
3/8"	61	50	24	17	0,2
M22	60	48	30	17	0,2

DIMENSIONS – BDVL (mm)						
SIZE	A	B	C	SW1	SW2	WEIGHT (kg)
3/8"	61	50	35,5	24	17	0,2

DIMENSIONS – HVV (mm)					
SIZE	A	B	SW1	SW2	WEIGHT (kg)
3/8"	61	49	24	17	0,2

DIMENSIONS – AFZ (mm)					
SIZE	A	B	SW1	WEIGHT (kg)	
3/8"	61	50	24	0,2	



MATERIALS					
POS. N°	DESCRIPTION	MATERIAL	POS. N°	DESCRIPTION	MATERIAL
1	Body	AISI 303 / 1.4305	6	Compression fitting 1/8" x 6 mm	AISI 316 / 1.4401
2	Valve screw	AISI 410 / 1.4006	6A	Compression fitting 1/4" x 8 mm	AISI 316 / 1.4401
3	Ball valve	AISI 440C / 1.4125	7	Spring	AISI 302 / 1.4310
4	* Gasket	Stainless steel / Graphite; Copper / Stainless steel	8	Ball retainer	AISI 303 / 1.4305
5	Retaining ring	Spring steel			

* Not applicable in NPT version.