

## BIMETALLIC STEAM TRAPS AND AIR VENTS BM24 (1 1/2" and 2" – DN 40 and DN 50)

### DESCRIPTION

The BM24 is a series of robust and efficient bimetallic steam traps and air vents. These steam traps are recommended for steam process applications where sensible heat can be recovered, such as steam tracing lines, drip points, storage tank coils and steam air venting.

### MAIN FEATURES

- Modulating discharge.
- Discharges condensate below steam saturation temperature.
- Excellent air discharge.
- Operates with superheated steam.
- Unaffected by water hammer and vibrations.
- Built-in strainer.

USE: Saturated and superheated steam.

AVAILABLE MODELS: BM24 – carbon steel.

SIZES: 1 1/2" and 2"; DN 40 and DN 50.

CONNECTIONS: Female threaded ISO 7 Rp or NPT.  
Flanged EN 1092-1 PN 40.  
Flanged ASME B16.5 Class 150 or 300.  
Socket weld (SW) ASME B16.11.  
Butt weld (BW) ASME B16.25.

INSTALLATION: Horizontal installation is recommended, but can be installed in any position.  
See IMI – Installation and maintenance instructions.



CE MARKING – GROUP 2 (PED – European Directive)		
CLASS 150	PN 40 / CLASS 300	Category
–	1 1/2" and 2" DN 40 and 50	1 (CE Marked)
1 1/2" and 2"	–	SEP

BODY LIMITING CONDITIONS		
FLANGED PN 40 / CLASS 300 *	FLANGED CLASS 150 **	RELATED TEMPERATURE
ALLOWABLE PRESSURE	ALLOWABLE PRESSURE	
40 bar	19,3 bar	50 °C
35 bar	15,8 bar	150 °C
30,4 bar	12,1 bar	250 °C
27,6 bar	10,2 bar	300 °C

PMO – Maximum operating pressure: 24 bar.

TMO – Maximum operating temperature: 250 °C.

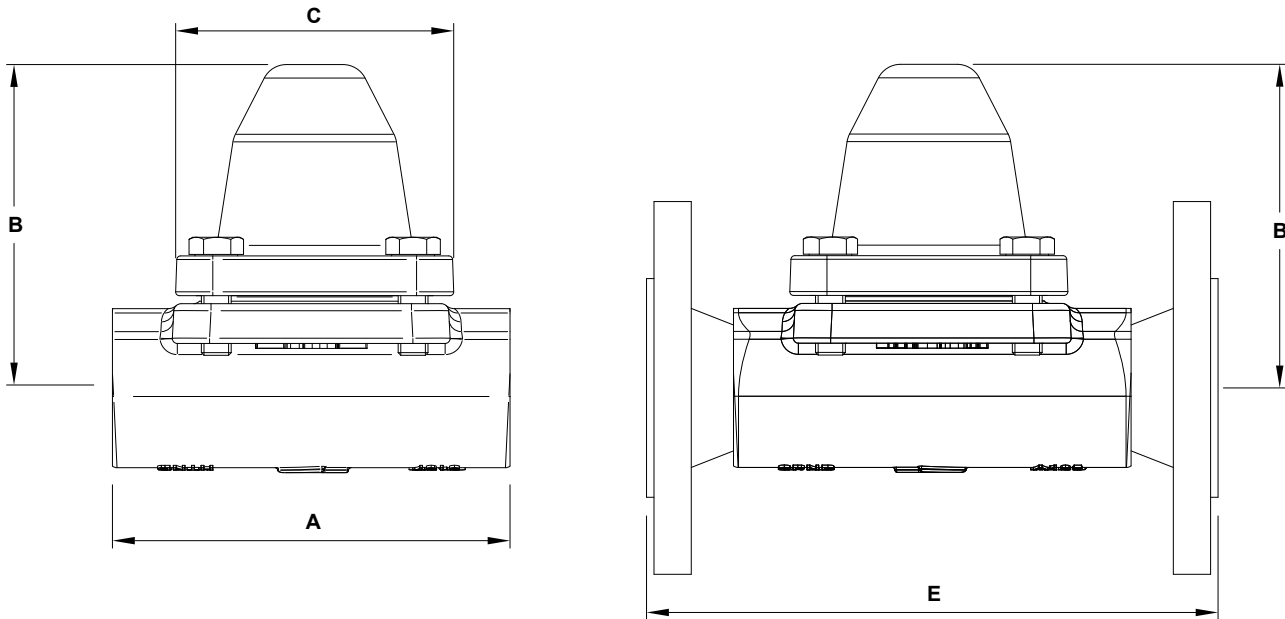
\* According to EN 1092-1:2018.

\*\* According to EN 1759-1:2004.

Body limiting conditions PN 40 or below, depending on the type of connection adopted. Rating PN 40 for threaded, SW and BW versions.

FLOW RATE CAPACITY (kg/h)													
MODEL	SIZE	DIFFERENTIAL PRESSURE (bar)											
		0,5	1	2	4	6	8	10	12	16	18	20	24
(A) BM24	1 1/2" and 2" DN 40 and 50	700	900	1200	1450	1600	1700	1780	1880	1900	1950	2020	2100
(B) BM24	1 1/2" and 2" DN 40 and 50	1900	2400	3500	4900	5500	6050	7000	7200	7800	8400	8800	9000

A: Hot condensate discharge 10 °C below saturation temperature; B: Cold condensate discharge at 20 °C.



DIMENSIONS (mm)											
SIZE	BW *	THREADED / SW				PN 40		CLASS 150		CLASS 300	
	A	A	B	C	WEIGHT (kg)	E **	WEIGHT (kg)	E **	WEIGHT (kg)	E **	WEIGHT (kg)
1 1/2" – DN 40	160	160	132	115	7,2	230	11,9	230	10,6	230	12,9
2" – DN 50	160	230	132	115	9,3	230	14,9	230	14,5	230	16,1

\* In case of BW connections pipe dimensions should be indicated when ordering. Body limiting conditions may be restricted by the BW end wall thickness. Consult the manufacturer.

\*\* Other face to face dimensions on request.

MATERIALS		
POS. N°	DESIGNATION	MATERIAL
1	Body	A105 / 1.0432 (Equiv. P250GH)
2	Cover	A105 / 1.0432 (Equiv. P250GH)
3	* Gasket	Stainless steel / Graphite
4	* Bimetallic regulator	Corrosion resistant bimetal; Stainless steel
5	* Seat gasket	Copper
6	* Strainer screen	AISI 304 / 1.4301
9	Bolt	A193 Gr. B7

\* Available spare parts.

