

SANITARY BALANCED PRESSURE THERMOSTATIC STEAM TRAPS TSS7

DESCRIPTION

The ADCAPure TSS7 all stainless steel thermostatic steam traps and air vents are specifically designed for use in hygienic applications such as reactors, CIP/SIP, autoclaves, sterilizers and distribution lines in clean and pure steam systems.

Their small size makes them ideal for use with a wide variety of equipment.

MAIN FEATURES

Modulating discharge.
Excellent air discharge.
Simple and compact design.

STANDARD SURFACE FINISH

Internal wetted parts: $\leq 0,51 \mu\text{m Ra} - \text{SF1}$.
External: $\leq 0,76 \mu\text{m Ra} - \text{SF3}$.
Other surface conditions see TIS.GIA – General information ADCAPure.
Ultrasonic cleaning.

OPTIONS: Special designs on request.

USE: Saturated clean steam.

AVAILABLE MODELS: TSS7 – clean steam trap.

SIZES: 1/2" to 1".

CONNECTIONS: Clamp ferrules ASME BPE.
Others on request.

PACKAGING: Assembling and packaging in a clean room certified according to ISO 14644-1.
The product is end capped and sealed with recyclable thermo-shrinkable plastic film, to avoid contamination.

INSTALLATION: Vertical installation.
See IMI – Installation and maintenance instructions.



CE MARKING – GROUP 2 (PED – EUROPEAN DIRECTIVE)	
PN 10	CATEGORY
1/2" to 1"	SEP

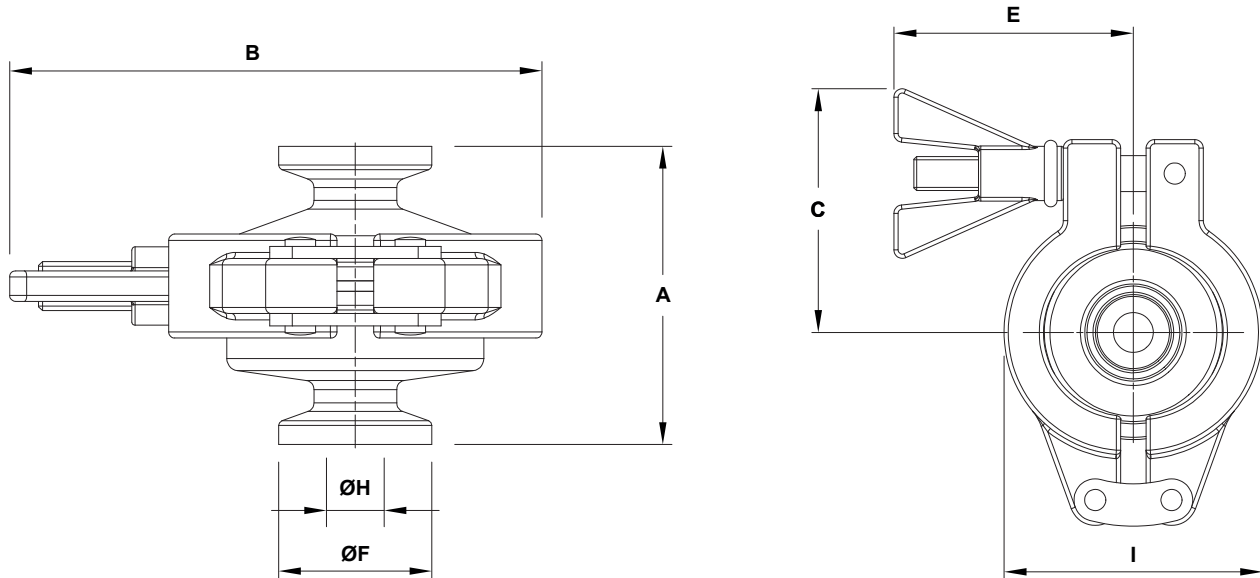
LIMITING CONDITIONS *	
Maximum allowable pressure	10 bar
Maximum allowable temperature	177 °C
Maximum operating pressure	6 bar
Maximum operating temperature	165 °C

* Other limits on request. Maximum operating conditions may be limited by the steam trap end connections due to normative restrictions.

FLOW RATE CAPACITY (kg/h)

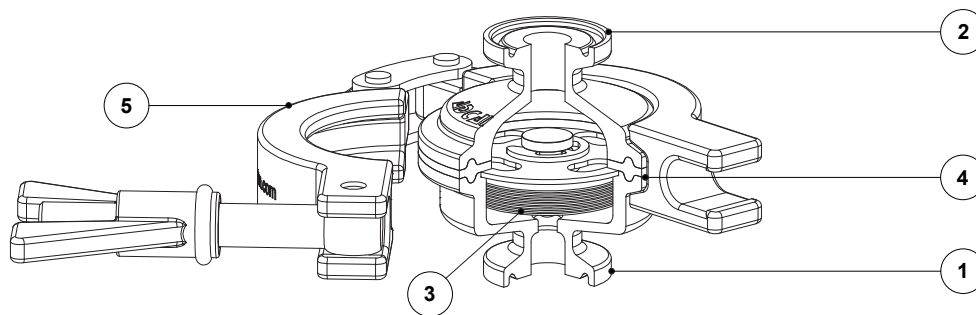
MODEL	SIZE	DIFFERENTIAL PRESSURE (bar)								
		0,2	0,3	0,5	1	1,5	2	3	4	6
TSS7 (A)	1/2" to 1"	73	92	177	269	334	468	730	792	900
TSS7 (B)	1/2" to 1"	398	475	574	656	745	820	944	1190	1436

A – Condensate discharge at 5 °C below saturation temperature; B – Cold water capacity around 20 °C.



DIMENSIONS – ASME BPE (mm)

SIZE	A	B	C	E	ØF	ØH	I	WEIGHT (kg)
1/2"	49	87	57,5	56,5	25	9,4	61	0,6
3/4"	49	87	57,5	56,5	25	15,8	61	0,6
1"	53	87	57,5	56,5	50,4	22,1	61	0,7



MATERIALS

POS. No.	DESIGNATION	MATERIAL
1	Body	AISI 316L / 1.4404
2	Cover	AISI 316L / 1.4404
3	* Thermostat	AISI 316L / 1.4404
4	* Gasket	** Glass microsphere filled PTFE
5	Safety clamp	AISI 316 / 1.4401

* Available spare parts. ** Others on request.

Remark: FDA / USP Class VI seals certificate on request.



Valsteam ADCA is an EHEDG Member



ORDERING CODES TSS7								
MODEL	TSS7	X	T	X	X	DX	15	
TSS7 – Sanitary thermostatic steam trap	TSS7							
MATERIAL								
AISI 316L / 1.4404		X						
BODY SEALING								
Glass microsphere filled PTFE			T					
SURFACE FINISH (a)								
Standard surface finish					X			
Mirror mechanical polished external surfaces (SF1)					P			
Electropolished internal wetted parts (SF5)					E			
Electropolished internal wetted parts (SF4)					Q			
SPECIAL FEATURES								
None						X		
PIPE CONNECTIONS								
Clamp ferrule ASME BPE							DX	
SIZE								
1/2"								15
3/4"								20
1"								25
SPECIAL CONSTRUCTION / ADDITIONAL OPTIONS								
Full description or additional codes have to be added in case of non-standard combination								E

(a) Consult TIS.GIA – General information ADCAPure – for further details and other surface finish options.