

SANITARY BALANCED PRESSURE THERMOSTATIC STEAM TRAPS TSS6A

DESCRIPTION

The ADCAPure TSS6A all stainless steel thermostatic steam traps and air vents are specifically designed for use in hygienic applications such as reactors, CIP/SIP, autoclaves, sterilizers and distribution lines in clean and pure steam systems.

Their small size makes them ideal for use with a wide variety of equipment.

MAIN FEATURES

Modulating discharge.
Excellent air discharge.
Simple and compact design.

STANDARD SURFACE FINISH

Internal wetted parts: $\leq 0,51 \mu\text{m Ra} - \text{SF1}$.

External: $\leq 0,76 \mu\text{m Ra} - \text{SF3}$.

Other surface conditions see TIS.GIA – General information ADCAPure.

Ultrasonic cleaning.

OPTIONS: Special designs on request.

USE: Saturated clean steam.

AVAILABLE

MODELS: TSS6A – horizontal inlet and outlet.
TSS6AI – horizontal inlet and vertical outlet.
TSS6AO – vertical inlet and horizontal outlet.

SIZES: 1/2" and 3/4".

CONNECTIONS: ASME BPE clamp ferrules.
Others on request.

PACKAGING: Assembling and packaging in a clean room certified according to ISO 14644-1.
The product is end capped and sealed with recyclable thermo-shrinkable plastic film, to avoid contamination.

INSTALLATION: Installation with the safety clamp in the horizontal position.
See IMI – Installation and maintenance instructions.



TSS6A



TSS6AI



TSS6AO

CE MARKING – GROUP 2 (PED – EUROPEAN DIRECTIVE)

PN 10	CATEGORY
1/2" and 3/4"	SEP

LIMITING CONDITIONS *

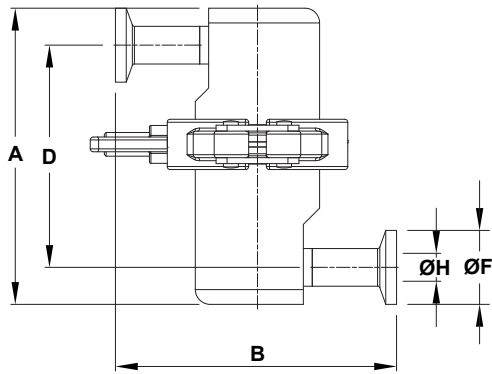
Maximum allowable pressure	10 bar
Maximum allowable temperature	177 °C
Maximum operating pressure	6 bar
Maximum operating temperature	165 °C

* Other limits on request. Maximum operating conditions may be limited by the steam trap end connections due to normative restrictions.

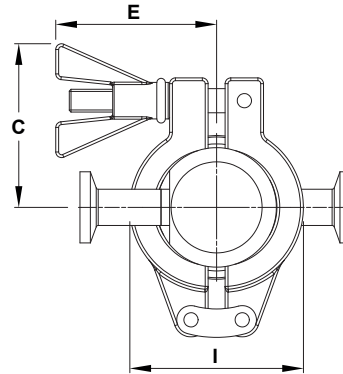
FLOW RATE CAPACITY (kg/h)

MODEL	SIZE	DIFFERENTIAL PRESSURE (bar)								
		0,2	0,3	0,5	1	1,5	2	3	4	6
TSS6A (A) *	1/2" and 3/4"	320	380	410	550	680	909	1081	1199	1403
TSS6A (B) *	1/2" and 3/4"	470	495	518	697	792	1026	1231	1436	1682

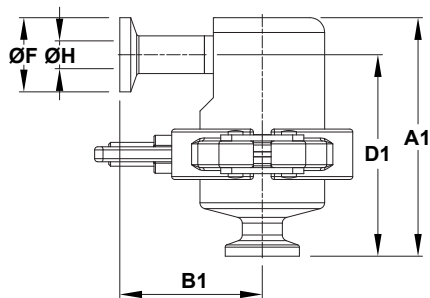
A – Condensate discharge at 5 °C below saturation temperature; B – Cold water capacity around 20 °C. * Also valid for TSS6AI and TSS6AO.



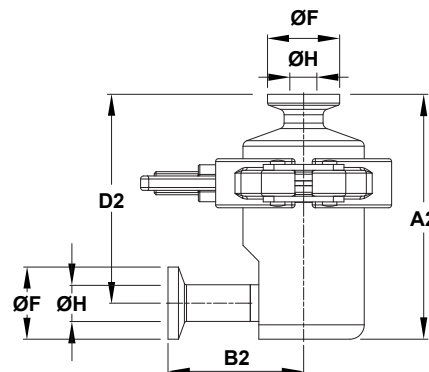
TSS6A



TSS6A



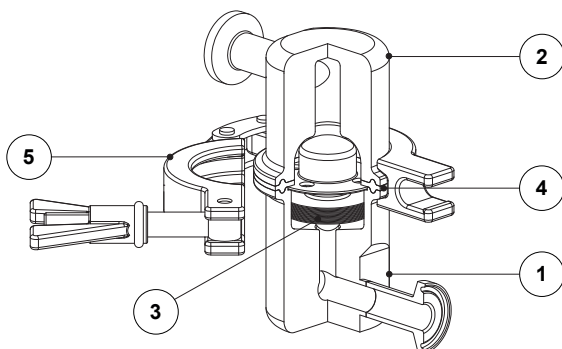
TSS6AI



TSS6AO

DIMENSIONS – ASME BPE (mm)

SIZE	A	A1	A2	B	B1	B2	C	D	D1	D2	E	ØF	ØH	I	WGT. (kg)
1/2"	100	80,5	85	95	48	47	57,5	75	68	72,5	56,5	25	9,4	61	1,2
3/4"	100	80,5	85	95	48	47	57,5	75	68	72,5	56,5	25	15,8	61	1,2



MATERIALS

POS. No.	DESIGNATION	MATERIAL
1	Body	AISI 316L / 1.4404
2	Cover	AISI 316L / 1.4404
3	* Thermostat	AISI 316L / 1.4404
4	* Gasket	** Glass microsphere filled PTFE
5	Safety clamp	AISI 316 / 1.4401

* Available spare parts. ** Others on request.

Remark: FDA / USP Class VI seals certificate on request.



ORDERING CODES TSS6A										
MODEL	TSS6A	X	X	T	X	X	DX	15		
TSS6A – Sanitary thermostatic steam trap	TSS6A									
DESIGN										
Horizontal inlet and outlet		X								
Horizontal inlet and vertical outlet		I								
Vertical inlet and horizontal outlet		O								
MATERIAL										
AISI 316L / 1.4404			X							
BODY SEALING										
Glass microsphere filled PTFE				T						
SURFACE FINISH (a)										
Standard surface finish						X				
Mirror mechanical polished external surfaces (SF1)						P				
Electropolished internal wetted parts (SF5)						E				
Electropolished internal wetted parts (SF4)						Q				
SPECIAL FEATURES										
None							X			
PIPE CONNECTIONS										
Clamp ferrule ASME BPE								DX		
SIZE										
1/2"										15
3/4"										20
SPECIAL CONSTRUCTION / ADDITIONAL OPTIONS										
Full description or additional codes have to be added in case of non-standard combination										E

(a) Consult TIS.GIA – General information ADCAPure – for further details and other surface finish options.