

THERMOSTATIC STEAM TRAPS AND AIR VENTS TH32Y

DESCRIPTION

The TH32Y series thermostatic steam traps and air vents are specifically designed for use on process equipment such as kettle cookers, sterilizers, food, chemical and laundry equipment.

MAIN FEATURES

- Modulating discharge.
- Discharges condensate close to steam saturation temperature.
- Thermostats for different sub coolings (5 to 30 °C).
- Excellent air discharge.
- Operates with moderate superheated steam.
- Built-in strainer.

OPTIONS: Blowdown valve.
Integrated check valve.

USE: Saturated steam.

AVAILABLE MODELS: TH32Y – carbon steel.
TH32YLC – low capacity, carbon steel.
Suffix CK: with integrated check valve.

SIZES: 1/2" to 1"; DN 15 to DN 25.

CONNECTIONS: Female threaded ISO 7 Rp or NPT.
Flanged EN 1092-1 PN 40.
Flanged ASME B16.5 Class 150 or 300.
Socket weld (SW) ASME 16.11.
Butt weld (BW) ASME B16.25 on request.

INSTALLATION: Horizontal installation is recommended, but can be installed in any position.
See IMI – Installation and maintenance instructions.



CE MARKING – GROUP 2 (PED – European Directive)	
PN 40	Category
1/2" to 1" – DN 15 to 25	SEP

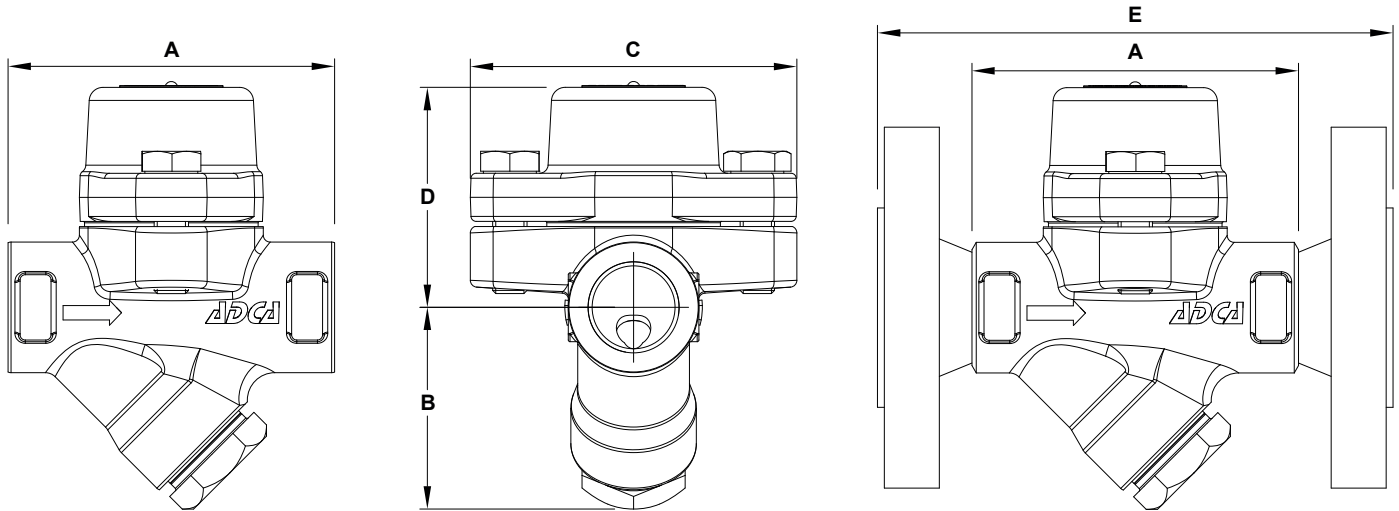
BODY LIMITING CONDITIONS		
FLANGED PN 40 / CLASS 300 *	FLANGED CLASS 150 **	RELATED TEMPERATURE
ALLOWABLE PRESSURE	ALLOWABLE PRESSURE	
40 bar	19,3 bar	50 °C
35 bar	15,8 bar	150 °C
30,4 bar	12,1 bar	250 °C
27,6 bar	10,2 bar	300 °C

PMO – Maximum operating pressure: 22 bar.
TMO – Maximum operating temperature: 250 °C.
* According to EN 1092-1:2018.
** According to EN 1759-1:2004.

Body limiting conditions PN 40 or below, depending on the type of connection adopted. Rating PN 40 for threaded, SW and BW versions.

FLOW RATE CAPACITY (kg/h)																
MODEL	SIZE	DIFFERENTIAL PRESSURE (bar)														
		0,2	0,3	0,5	1	1,5	2	3	4	6	8	10	13	15	20	22
TH32Y	1/2" to 1" DN 15 to 25	70	120	140	255	330	385	455	510	600	670	700	720	750	775	795
TH32YLC	1/2" to 1" DN 15 to 25	45	55	70	95	125	135	180	200	270	315	330	360	370	405	415

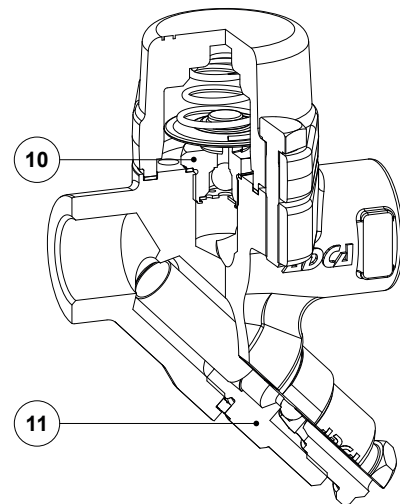
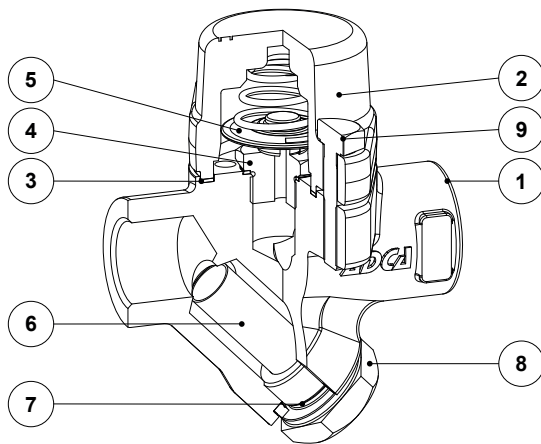
Capacities shown refer to condensate discharge 10 °C below steam saturation temperature (standard type S thermostat).
Thermostats for 5 °C (type H) and 30 °C (type L) also available. Capacities for cold condensate discharge at 20 °C are two to three times greater.



DIMENSIONS (mm)

SIZE	THREADED / SW				WEIGHT (kg)	PN 40		CLASS 150		CLASS 300	
	A	B	C	D		E *	WEIGHT (kg)	E *	WEIGHT (kg)	E *	WEIGHT (kg)
1/2" – DN 15	95	59	95	65	1,6	150	3,2	150	2,7	150	3,5
3/4" – DN 20	95	59	95	65	1,6	150	3,9	150	3,1	150	4,7
1" – DN 25	95	65	95	65	1,8	160	4,7	160	4,3	160	5,9

* Other face to face dimensions on request.



MATERIALS

POS. N°	DESIGNATION	MATERIAL	POS. N°	DESIGNATION	MATERIAL
1	Body	P250GH / 1.0460	7	* Gasket	Stainless steel / Graphite
2	Cover	P250GH / 1.0460	8	* Strainer cover	A 105 / 1.0432
3	* Gasket	Stainless steel / Graphite	9	Bolts	Stainless steel A2-70
4	* Valve seat	AISI 304 / 1.4301	10	* Seat with integrated check valve	Stainless steel
5	* Thermostatic element	Stainless steel	11	* Blowdown valve	AISI 304 (see IS 1.150)
6	* Strainer screen	AISI 304 / 1.4301			

* Available spare parts.