

## SOLENOID VALVES SV32

### DESCRIPTION

The ADCA SV32 3/2 way solenoid valves are available as single station units and they are designed for use with compressed air, mainly applied where on-off control is required with pneumatic actuators.

**OPTIONS:** Other versions on request.  
**USE:** Pneumatic actuator control, among others.

**AVAILABLE MODELS:** SV32C – direct acting.  
SV32H – pilot operated.

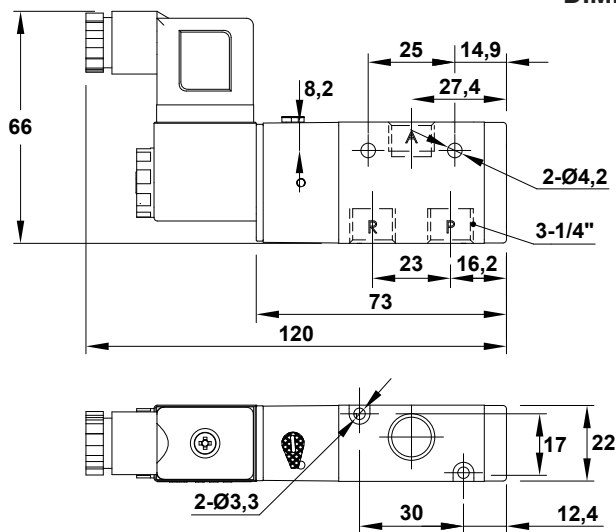
**SIZES:** 1/4".

**CONNECTIONS:** Female threaded ISO 7 Rp.

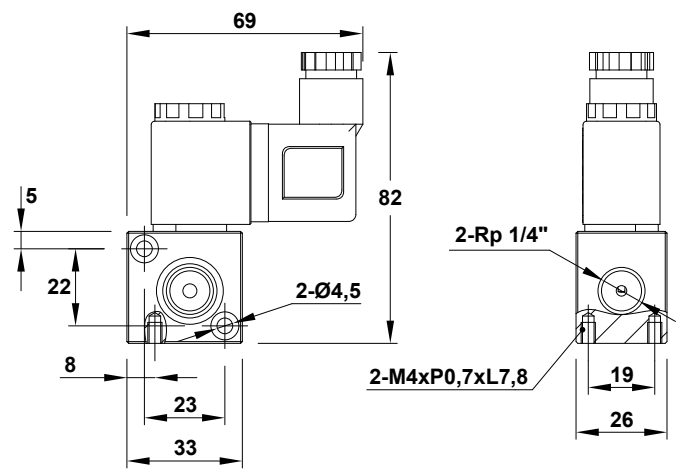
**INSTALLATION:** In any position.  
See IMI – Installation and maintenance instructions.



### DIMENSIONS (mm)



SV32H



SV32C

### TECHNICAL DATA

| TYPE                   | SV32C                            | SV32H              |
|------------------------|----------------------------------|--------------------|
| Body material          | Aluminium alloy                  |                    |
| Sectional area         | 1,5 mm <sup>2</sup>              | 16 mm <sup>2</sup> |
| Action                 | Direct acting with spring return | Internal pilot     |
| Operating pressure     | 0 to 8 bar                       |                    |
| Maximum proof pressure | 10 bar                           |                    |
| Ambient temperature    | -10 to 60 °C                     |                    |
| Duty cycle             | 100% ED                          |                    |
| Coil type              | DIN                              |                    |
| Protection class       | IP 65 (DIN 40 050)               |                    |
| Insulation class       | F                                |                    |
| Standard voltages      | 220 V AC, 110 V AC, 24 V DC      |                    |
| Voltage tolerance      | ±10%                             |                    |
| Weight                 | 0,2 kg                           |                    |