

INSTALLATION AND MAINTENANCE INSTRUCTIONS IS STRAINERS (IS116 – IS140 – IS16F)

GENERAL

- These instructions must be carefully read before any work involving products supplied by VALSTEAM ADCA ENGINEERING S.A. is undertaken.

Warning!

- Do not touch the equipment without appropriate protection during working operation because it may conduct heat if the used fluid is at high temperature.
- Before starting maintenance be sure that the equipment is not pressurized or hot.
- The equipments must be used within the working temperature and pressure limits laid down for them, otherwise they may fail (refer to nameplate and/or IS- Information Sheet).
- Do not remove the nameplate attached to the equipment. Serial number and other useful information is stamped on it.

INSTALLATION



- Before to install remove plastic covers placed on flanges or connection ends. The equipment has an arrow or Inlet/Outlet designations. Be sure that it will be installed on the appropriate direction.
- The IS strainers can be installed in any position. If installed horizontally it is recommended that the screen is pointing downwards if assembly on liquid systems and it is recommended that the screen remains on horizontal plane in case of steam. If installed on vertical position, we recommend top to bottom flow.

MAINTENANCE

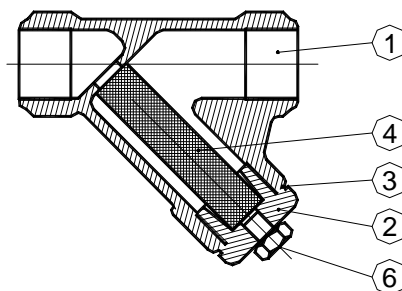
- The ADCA strainers do not require any particular maintenance. Cleaning or changing of the strainer screen may become necessary from time to time. The cleaning intervals depend on the degree of contamination of the fluid. Examine the screen to ascertain the extend of any damage or service wear.
- For further information refer to the relevant IS (Information Sheet) or consult our Sales Office.

How to clean and replace the strainer screen:

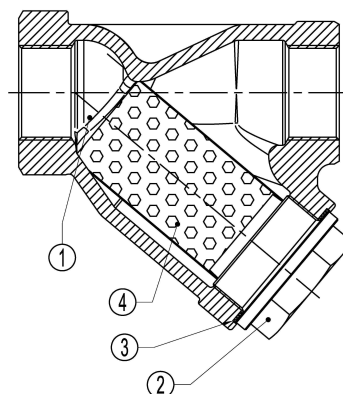
Disassembly the cover, take out the filter screen and blow compressed air from outside to inside at the pressure of around 5 bars. If necessary clean it with non corrosive detergents. If the filter screen is damage, change it. After the operation, clean the housing and screw carefully the cover to the body with a new gasket.

PARTS LIST FOR CAST IRON Y STRAINERS IS116:

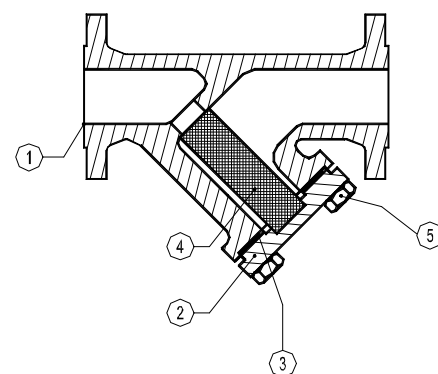
CODE	DESIGNATION	SIZE DN	POS.NR.	QTY.	RECOMMENDED TIGHTENING TORQUES
A.96.3160.015	Screen and gasket	1/2"	3,4	1set	Nr.2 60 Nm
A.96.3160.020	Screen and gasket	3/4"	3,4	1set	Nr.2 70 Nm
A.96.3160.025	Screen and gasket	1"	3,4	1set	Nr.2 90 Nm
A.96.3160.032	Screen and gasket	1 1/4"	3,4	1set	Nr.2 120 Nm
A.96.3160.040	Screen and gasket	1 1/2"	3,4	1set	Nr.2 120 Nm
A.96.3160.050	Screen and gasket	2"	3,4	1set	Nr.2 120 Nm


PARTS LIST FOR CAST IRON Y STRAINERS IS140:

CODE	DESIGNATION	SIZE DN	POS.NR.	QTY.	RECOMMENDED TIGHTENING TORQUES
A.96.2200.015	Screen and gasket	1/2"	3,4	1set	Nr.2 40 Nm
A.96.2200.020	Screen and gasket	3/4"	3,4	1set	Nr.2 45 Nm
A.96.2200.025	Screen and gasket	1"	3,4	1set	Nr.2 80 Nm
A.96.2200.032	Screen and gasket	1 1/4"	3,4	1set	Nr.2 120 Nm
A.96.2200.040	Screen and gasket	1 1/2"	3,4	1set	Nr.2 180 Nm
A.96.2200.050	Screen and gasket	2"	3,4	1set	Nr.2 260 Nm


PARTS LIST FOR CAST IRON Y STRAINERS IS16F:

CODE	DESIGNATION	SIZE DN	POS.NR.	QTY.	RECOMMENDED TIGHTENING TORQUES
A.96.2150.015	Screen and gasket	15	3,4	1set	Nr.5 38 Nm
A.96.2150.020	Screen and gasket	20	3,4	1set	Nr.5 38 Nm
A.96.2150.025	Screen and gasket	25	3,4	1set	Nr.5 38 Nm
A.96.2150.032	Screen and gasket	32	3,4	1set	Nr.5 38 Nm
A.96.2150.040	Screen and gasket	40	3,4	1set	Nr.5 80 Nm
A.96.2150.050	Screen and gasket	50	3,4	1set	Nr.5 80 Nm
A.96.2150.065	Screen and gasket	65	3,4	1set	Nr.5 80 Nm
A.96.2150.080	Screen and gasket	80	3,4	1set	Nr.5 110 Nm
A.96.2150.100	Screen and gasket	100	3,4	1set	Nr.5 110 Nm
A.96.2150.125	Screen and gasket	125	3,4	1set	Nr.5 110 Nm
A.96.2150.150	Screen and gasket	150	3,4	1set	Nr.5 110 Nm
A.96.2150.200	Screen and gasket	200	3,4	1set	Nr.5 110 Nm
A.96.2150.250	Screen and gasket	250	3,4	1set	Nr.5 170 Nm
A.96.2150.300	Screen and gasket	300	3,4	1set	Nr.5 170 Nm


ATTENTION

- **LOSS OF WARRANTY:** Total or partial disregard of above instructions involves loss of any right to warranty.