

SHELL AND TUBE & PLATE HEAT EXCHANGERS

DESCRIPTION

Adcatherm heat exchangers are divided in several lines, from the traditional shell and tube to the PHE (plate heat exchangers), and offer solutions for many different industrial heat transfer applications.

MAIN FEATURES

Different types of materials and designs available, according to the application.

OPTIONS: Packaged units, heating coils, special designs.

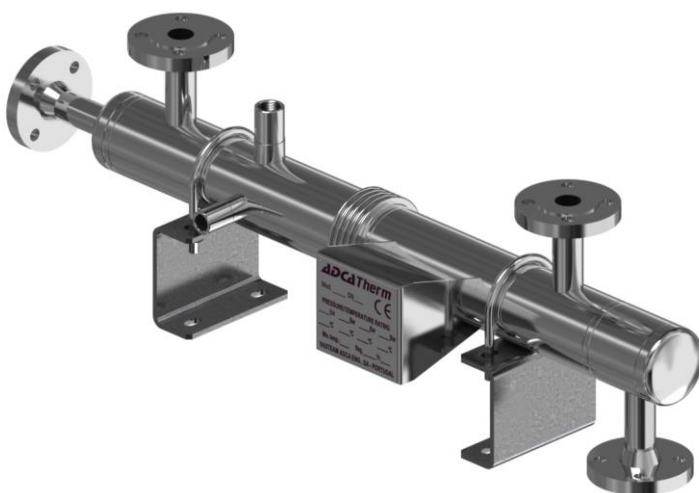
USE: Steam, water, hot condensate and other fluids compatible with the construction.

AVAILABLE MODELS: STSH/STSV – Shell and tube sealed.
 STH/STV – Shell and tube bolted.
 PAT – Plate heat exchanger (gasketed and bolted).

ORDER REQUIREMENTS: Type of fluids and correspondent pressures.
 Flow rates.
 Inlet and outlet temperatures.
 Output.



STV



STSH



PAT

CE