

PIPELINE Y STRAINERS IS116

DESCRIPTION

The IS116 forged steel Y strainers are applicable to all types of steam, water, oil and air systems.

Their purpose is to protect traps, regulating valves, piping, etc. from dirt and impurities, which are often the cause of damage and consequent energy loss of fluid systems.

MAIN FEATURES

Strainer cap with drain plug.

OPTIONS: Various screen aperture sizes.
Blowdown valves.

USE: Saturated steam, water, oil, air and other fluids compatible with the construction materials.

AVAILABLE MODELS: IS116 – forged steel.

SIZES: 1/2" to 2"; DN 15 to DN 50.

SCREENS: 0,8 mm aperture.
Others on request.

CONNECTIONS: Female threaded ISO 7 Rp or NPT.
Flanged EN 1092-1 PN 40, PN 63 or PN 100.
Flanged ASME B16.5 Class 150, 300 or 600.
Socket weld (SW) ASME 16.11.

INSTALLATION: Horizontal or vertical downstream installation.
See IMI – Installation and maintenance instructions.

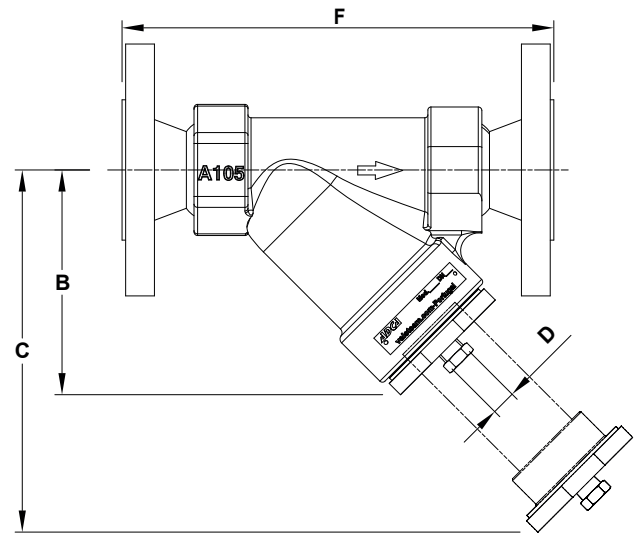
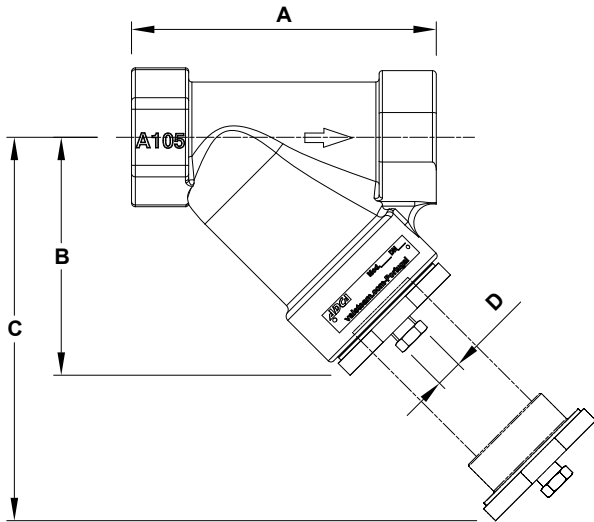


CE MARKING – GROUP 2 (PED – European Directive)

PN 100	Category
1/2" to 1 1/4" – DN 15 to 32	SEP
1 1/2" to 2" – DN 40 to 50	1 (CE marked)

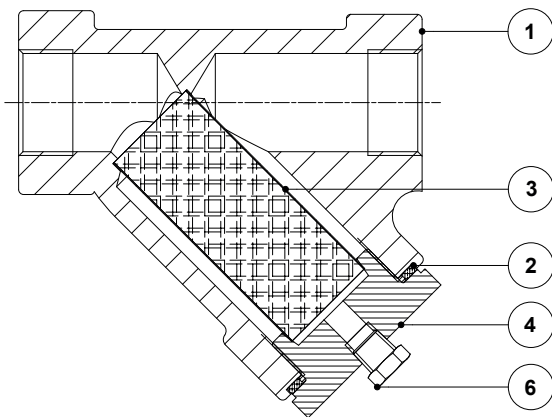
LIMITING CONDITIONS

PMA – Maximum allowable pressure	100 bar
TMA – Maximum allowable temperature	440 °C

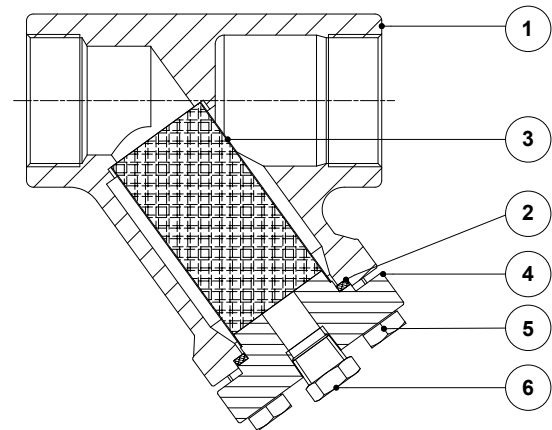


DIMENSIONS (mm)											
THREADED / SW					PN 40		PN 63 / PN 100 *	CLASS 150 *	CLASS 300 *	CLASS 600 *	
SIZE	A	B	C	D **	WEIGHT (kg)	F	WEIGHT (kg)	F	F	F	F
1/2" – DN 15	90	60	105	1/4"	1	150	2,6	165	165	165	165
3/4" – DN 20	110	75	140	1/4"	1,2	170	3,5	185	191	191	191
1" – DN 25	130	93	155	1/4"	2	200	4,6	230	216	216	216
1 1/4" – DN 32	160	120	195	1/4"	4,5	240	8,3	270	260	270	280
1 1/2" – DN 40	160	120	195	1/4"	4,5	240	9,5	270	260	270	280
2" – DN 50	160	145	280	1/2"	6	245	12	276	276	292	292

* For weights, consult manufacturer. ** This connection is threaded NPT.



1/2" to 1 1/2" – DN 15 to DN 40



2" – DN 50

MATERIALS		
POS. N°	DESIGNATION	MATERIAL
1	Body	A105 / 1.0432
2	* Gasket	Graphite
3	* Strainer screen	AISI 304 / 1.4301
4	Cap	A105 / 1.0432
5	Bolts	Steel 8.8
6	Plug	A105 / 1.0432

* Available spare parts.