

FLOAT AND THERMOSTATIC STEAM TRAPS

FLT40

(Stainless steel 1/2" – 1"; DN 15 – 25)

DESCRIPTION

The FLT40 is a series of float and thermostatic steam traps with integral air vent designed for modulating discharge of condensate, ensuring maximum system heat transfer.

Typical applications include unit heaters, heat exchangers, dryers, jacketed vessels and other applications where continuous discharge is essential.

MAIN FEATURES

- Modulating discharge of condensate at steam temperature.
- Unaffected by sudden or wide load and pressure variations.
- No backing-up with condensate.
- Excellent air discharge through its integrated air vent.
- Flow direction can be easily changed by repositioning the body in relation to the mechanism and cover.

- OPTIONS:**
- Equalizing (vent) and drain connections.
 - SLR – Steam lock release.
 - HVV – Hand vent valve.
 - BDV – Blowdown valve.
 - AFZ – Anti-freeze device.
 - VB21M – Vacuum breaker.

- USE:** Saturated and superheated steam.

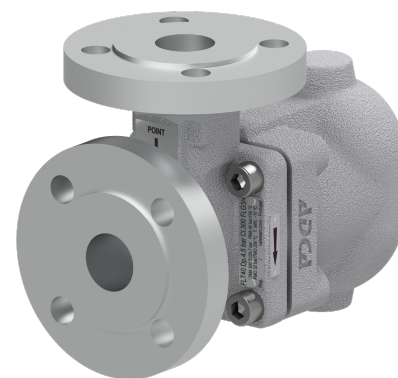
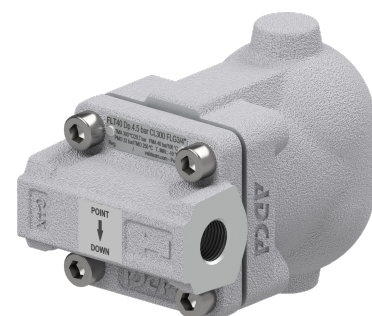
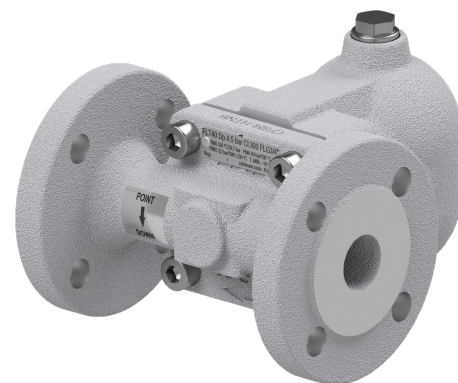
- AVAILABLE MODELS:** FLT40-4,5 , 10, 14 and 21 – stainless steel.

- SIZES:** 1/2" to 1"; DN 15 to DN 25.

- CONNECTIONS:** Female threaded ISO 7 Rp or NPT.
 Flanged EN 1092-1 PN 40.
 Flanged ASME B16.5 Class 150 or 300.
 Socket weld (SW) ASME 16.11.

- INSTALLATION:** Inline horizontal or vertical installation.
 Angled horizontal or vertical installation.
 See IMI – Installation and maintenance instructions.

- MAX. ΔP:**
- FLT40-4,5 – 4,5 bar
 - FLT40-10 – 10 bar
 - FLT40-14 – 14 bar
 - FLT40-21 – 21 bar



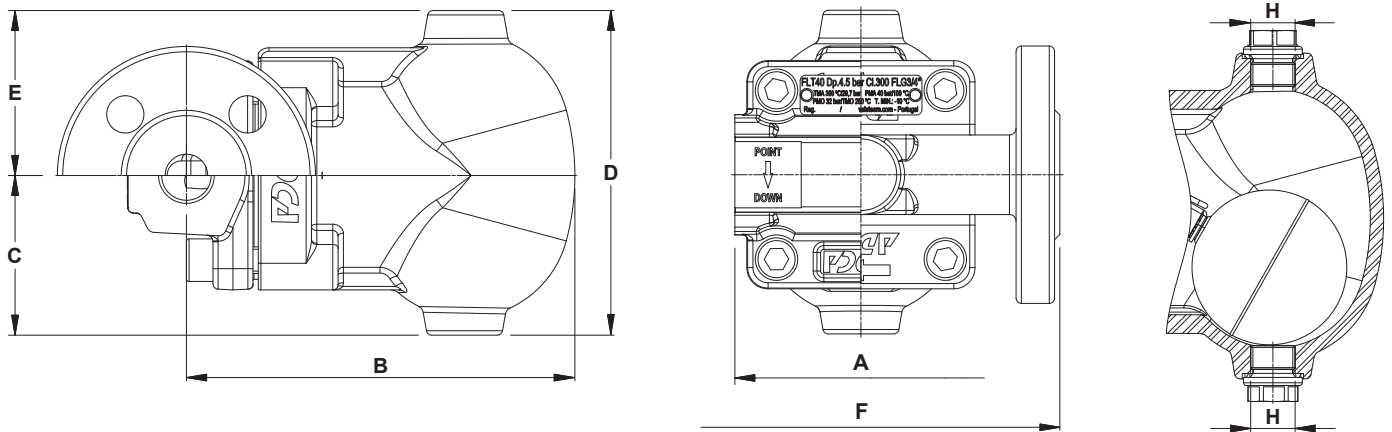
CE MARKING – GROUP 2 (PED – European Directive)

PN 40	Category
1/2" to 1" – DN 15 to 25	SEP

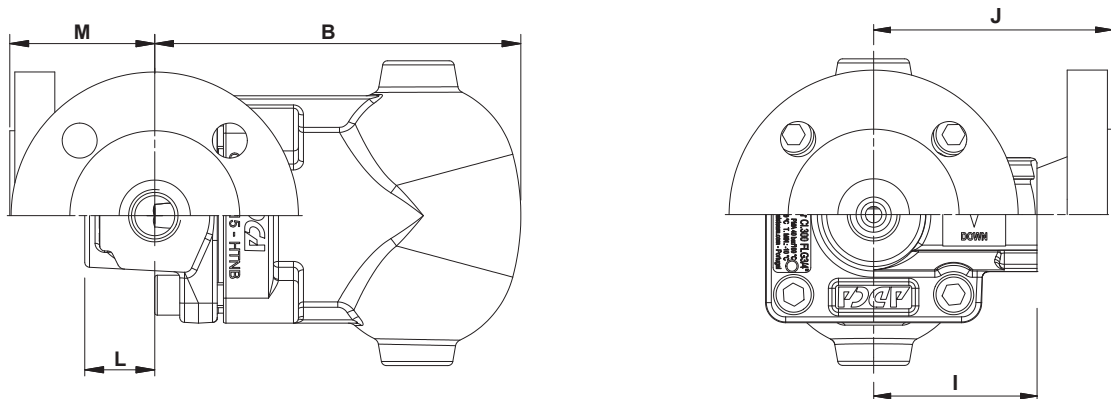
BODY LIMITING CONDITIONS			
FLANGED PN 40 *	FLANGED CLASS 300 **	FLANGED CLASS 150 **	RELAT. TEMP.
ALLOW. PRESS.	ALLOW. PRESS.	ALLOW. PRESS.	
37,9 bar	34,4 bar	13,3 bar	100 °C
31,8 bar	28,8 bar	11,1 bar	200 °C
29,9 bar	26,6 bar	10,2 bar	250 °C
27,6 bar	25,2 bar	9,7 bar	300 °C

PMO – Maximum operating pressure: 32 bar.
 TMO – Maximum operating temperature: 250 °C.
 * Acc. to EN 1092-1:2018; ** Acc. to EN 1759-1:2004.
 Body limiting conditions PN 40 or below, depending on the type of connection adopted. Rating PN 40 for threaded and SW versions.

FLOW RATE CAPACITY (kg/h)												
MODEL	SIZE	DIFFERENTIAL PRESSURE (bar)										
		0,5	1	1,5	2	4,5	7	10	12	14	16	21
FLT40-4,5	1/2" to 1" – DN 15 to 25	220	280	320	360	495	–	–	–	–	–	–
FLT40-10	1/2" to 1" – DN 15 to 25	200	252	290	335	440	505	595	–	–	–	–
FLT40-14	1/2" to 1" – DN 15 to 25	145	198	225	252	350	415	480	535	580	–	–
FLT40-21	1/2" to 1" – DN 15 to 25	70	95	120	150	205	250	320	380	390	405	435



Inline design

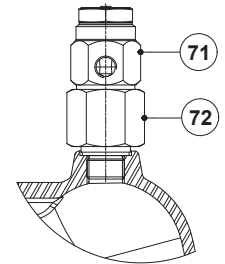
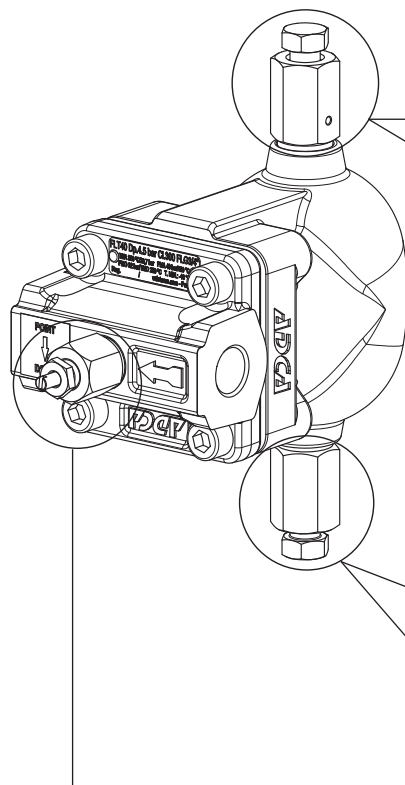
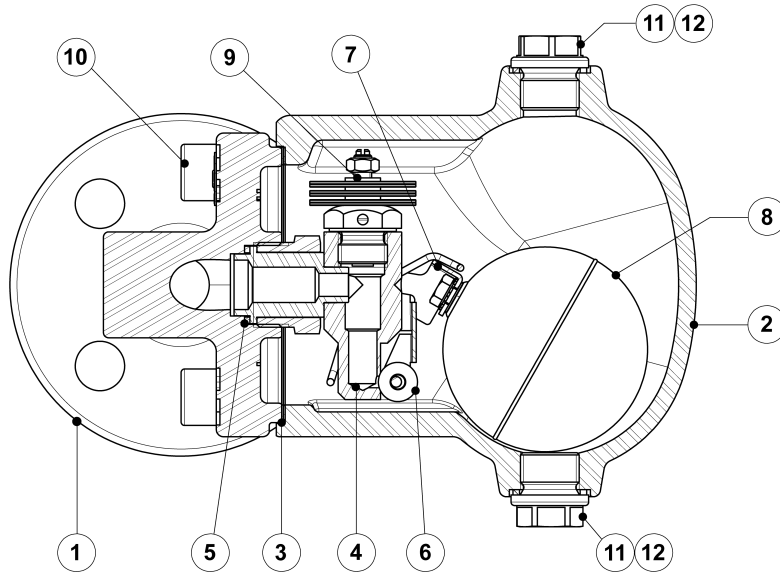


Angled design

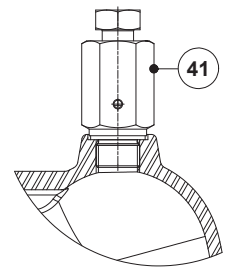
DIMENSIONS (mm) – INLINE DESIGN													
SIZE	THREADED / SW							PN 40		CLASS 150		CLASS 300	
	A	B	C	D	E	H *	WEIGHT (kg)	F	WEIGHT (kg)	F	WEIGHT (kg)	F	WEIGHT (kg)
1/2" – DN 15	95	146	60	122	62	3/8"	3,8	150	5,1	150	4,8	150	5
3/4" – DN 20	95	146	60	122	62	3/8"	3,8	150	5,7	150	5	150	6
1" – DN 25	95	146	60	122	62	3/8"	3,6	160	6,4	160	6	160	6,8

DIMENSIONS (mm) – ANGLED DESIGN																	
SIZE	THREADED / SW								PN 40			CLASS 150			CLASS 300		
	B	C	D	E	H *	I	L	WGT. (kg)	J	M	WGT. (kg)	J	M	WGT. (kg)	J	M	WGT. (kg)
1/2" – DN 15	146	60	122	62	3/8"	65	28	3,8	95	58	5,3	100	63	4,8	105	68	5,4
3/4" – DN 20	146	60	122	62	3/8"	65	28	3,8	95	58	5,9	100	63	5,2	110	73	6,4
1" – DN 25	146	60	122	62	3/8"	65	28	3,8	95	58	6,3	100	63	5,7	110	73	6,9

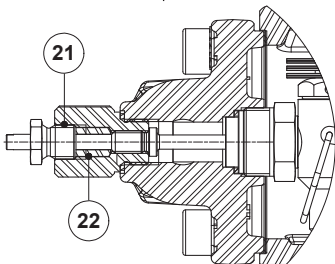
* As standard, in versions with EN flanges or female ISO 7 Rp threads, these connections are female threaded ISO 228. In versions with ASME flanges, female NPT threads or SW, these connections are female threaded NPT.



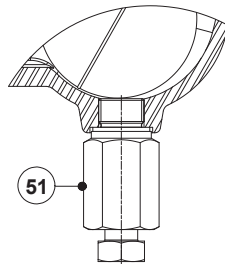
VB21M - Vacuum breaker



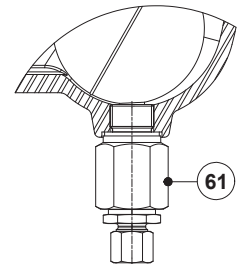
HVV - Hand vent valve



SLR - Steam lock release



BDV - Blowdown valve
(Manual)

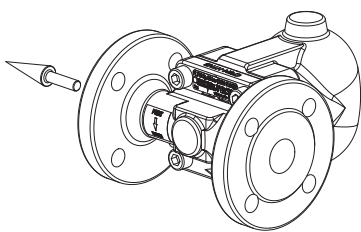


AFZ - Anti-freeze device
(Automatic)

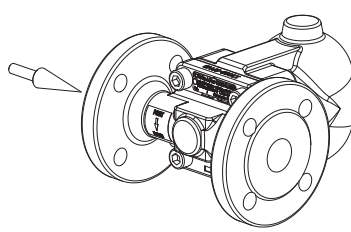
MATERIALS		
POS. N°	DESIGNATION	MATERIAL
1	Body (inline flanged)	A351 CF8M / 1.4408
	Body (inline threaded)	AISI 316L / 1.4404
	Body (angled)	AISI 316L / 1.4404
2	Cover	A351 CF8M / 1.4408
3	* Gasket	Stainless steel / Graphite
4	* Seat	AISI 303 / 1.4305
5	* Gasket	Copper
6	* Valve ball	AISI 316 / 1.4401
7	* Lever	AISI 304 / 1.4301
8	* Float	AISI 304 / 1.4301
9	* Automatic air vent	Stainless steel; Bimetallic
10	Bolts	Stainless steel A2-70
11	Plug	AISI 316L / 1.4404
12	** Gasket	Copper; AISI 304 / 1.4301
21	Steam Lock Release	AISI 420 / 1.4021 AISI 316L / 1.4404
22	Packing	Graphite
41	Hand vent valve	AISI 303 / 1.4305; AISI 316L / 1.4404
51	Blowdown valve	AISI 303 / 1.4305; AISI 316L / 1.4404
61	Anti-freeze device	AISI 303 / 1.4305; AISI 316L / 1.4404
71	Vacuum breaker	AISI 303 / 1.4305
72	Connector	AISI 316L / 1.4404

* Available spare parts; ** Not applicable in NPT version.

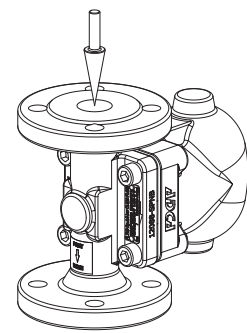
FLOW DIRECTION



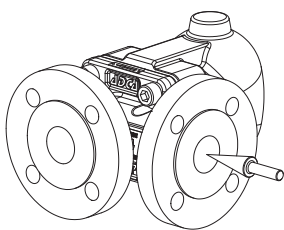
IR - Horizontal from right to left



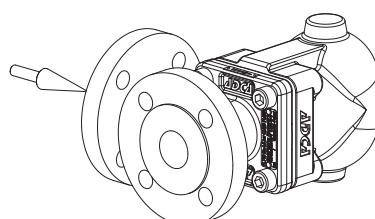
IL - Horizontal from left to right



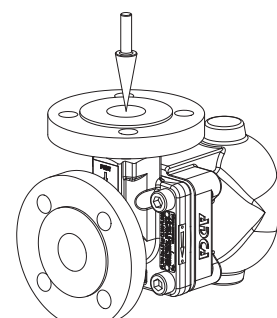
IT - Vertical from top to bottom



AR - Angled from right to front



AL - Angled from left to front



AT - Angled from top to front

ORDERING CODES FLT40									
Model	A40	2	V	XX	X	IR	A	15	
FLT40 – stainless steel	A40								
Differential pressure									
4,5 bar		2							
10 bar		3							
14 bar		4							
21 bar		5							
Automatic air vent									
Bimetallic air vent (standard)			V						
None			X						
Cover connections									
None				XX					
3/8" threaded connections on top and bottom, closed with plugs (mandatory if any options are considered)				10					
Options									
If any, these have specific separate ordering codes, please refer to the appropriate documentation.									
SLR - Steam lock release									
None					X				
With steam lock release assembled					S				
Flow direction									
Inline horizontal from right to left (standard)						IR			
Inline horizontal from left to right						IL			
Inline vertical from top to bottom						IT			
Angled from right to front						AR			
Angled from left to front						AL			
Angled from top to front						AT			
Pipe connections									
Female threaded ISO 7 Rp							A		
Female threaded NPT							C		
Socket weld (SW) ASME 16.11							H		
Flanged EN 1092-1 PN 40							N		
Flanged ASME B16.5 Class 150							U		
Flanged ASME B16.5 Class 300							V		
Size									
1/2" or DN 15								15	
3/4" or DN 20								20	
1" or DN 25								25	
Special valves / Extras									
Full description or additional codes have to be added in case of a non-standard combination									E