

## AIR AND GAS FLOAT TRAPS FA35.1 (Carbon steel 1"; DN 25)

### DESCRIPTION

The FA35.1 is a series of fully automatic ball float traps specially designed for condensate drainage in compressed air and gas systems. Typical applications include aftercoolers, separators and compressed air mains.

### MAIN FEATURES

Modulating discharge.  
Unaffected by sudden or wide load and pressure variations.  
Flow direction can be easily changed by repositioning the body in relation to the mechanism and cover.

**OPTIONS:** Metal to metal sealing.  
Equalizing (vent) and drain connections.  
BDV – Blowdown valve.  
AFZ – Anti-freeze device.  
FLL – Float lifting lever.

**USE:** Compressed air and other non corrosive gases compatible with the construction.

**AVAILABLE MODELS:** FA35.1-4,5 , 10, 14, 21 and 32 – carbon steel.

**SIZES:** 1"; DN 25.

**CONNECTIONS:** Female threaded ISO 7 Rp or NPT.  
Flanged EN 1092-1 PN 40.  
Flanged ASME B16.5 Class 150 or 300.  
Socket weld (SW) ASME 16.11.

**INSTALLATION:** Inline horizontal or vertical installation.  
Angled horizontal or vertical installation.  
See IMI – Installation and maintenance instructions.

**MAX. ΔP:** FA35.1-4,5 – 4,5 bar  
FA35.1-10 – 10 bar  
FA35.1-14 – 14 bar  
FA35.1-21 – 21 bar  
FA35.1-32 – 32 bar

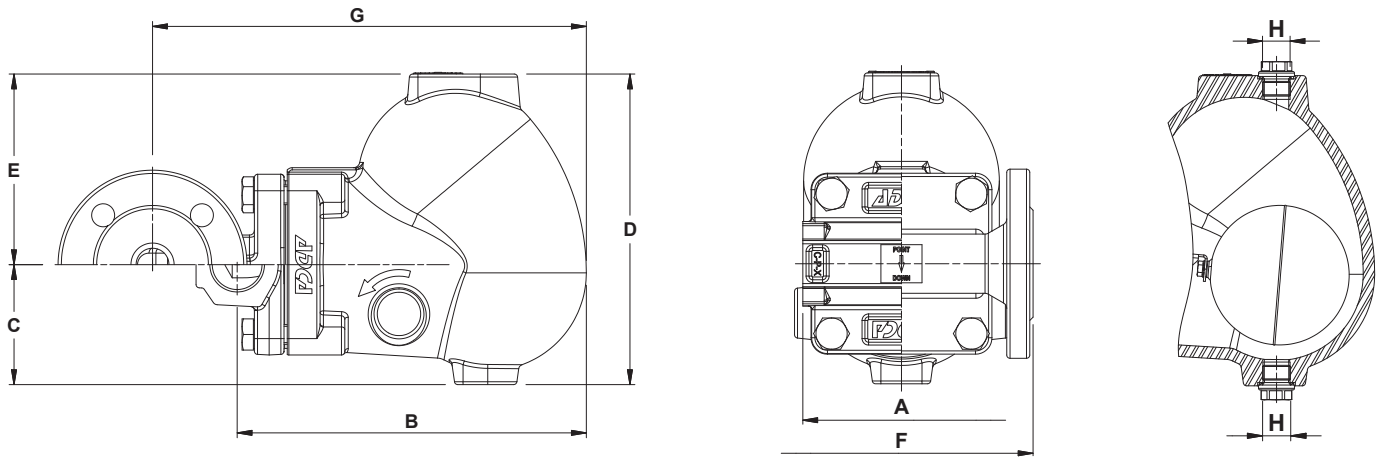


CE MARKING – GROUP 2 (PED – European Directive)		
CLASS 150	PN 40	Category
1" – DN 25	–	SEP
–	1" – DN 25	1 (CE marked)

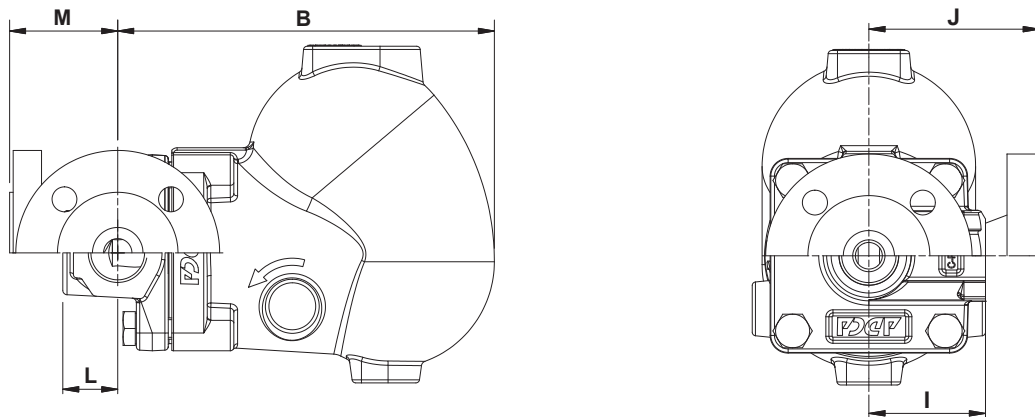
BODY LIMITING CONDITIONS		
FLANGED PN 40 / CLASS 300 *	FLANGED CLASS 150 **	RELATED TEMP.
ALLOWABLE PRESSURE	ALLOWABLE PRESSURE	
37,1 bar	17,7 bar	100 °C
33,3 bar	14 bar	200 °C
30,4 bar	12,1 bar	250 °C
27,6 bar	10,2 bar	300 °C

PMO – Maximum operating pressure: 32 bar.  
TMO – Maximum operating temperature:  
FPM / Viton valve sealing: 200 °C.  
Metal to metal sealing: 250 °C  
Min. liquid specific weight: 0,75 kg/dm<sup>3</sup>.  
\* Acc. to EN 1092-1:2018; \*\* Acc. to EN 1759-1:2004.  
Body limiting conditions PN 40 or below, depending on the type of connection adopted. Rating PN 40 for threaded and SW versions.

FLOW RATE CAPACITY (kg/h)														
MODEL	SIZE	DIFFERENTIAL PRESSURE (bar)												
		0,5	1	1,5	2	4,5	7	10	12	14	16	21	25	32
FA35.1-4,5	1" – DN 25	941	1330	1630	1882	2823	–	–	–	–	–	–	–	–
FA35.1-10	1" – DN 25	597	845	1035	1195	1793	2237	2674	–	–	–	–	–	–
FA35.1-14	1" – DN 25	455	644	788	910	1366	1704	2036	2231	2409	–	–	–	–
FA35.1-21	1" – DN 25	242	342	419	484	726	906	1082	1186	1281	1369	1569	–	–
FA35.1-32	1" – DN 25	177	251	308	355	533	665	795	871	941	1006	1152	1257	1423



Inline design



Angled design

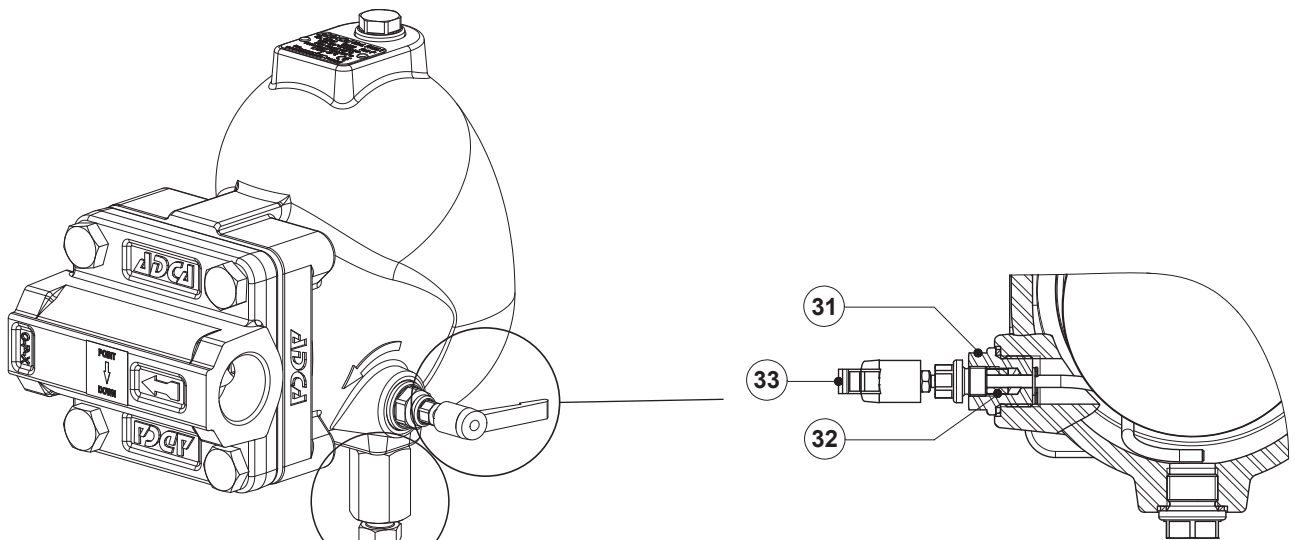
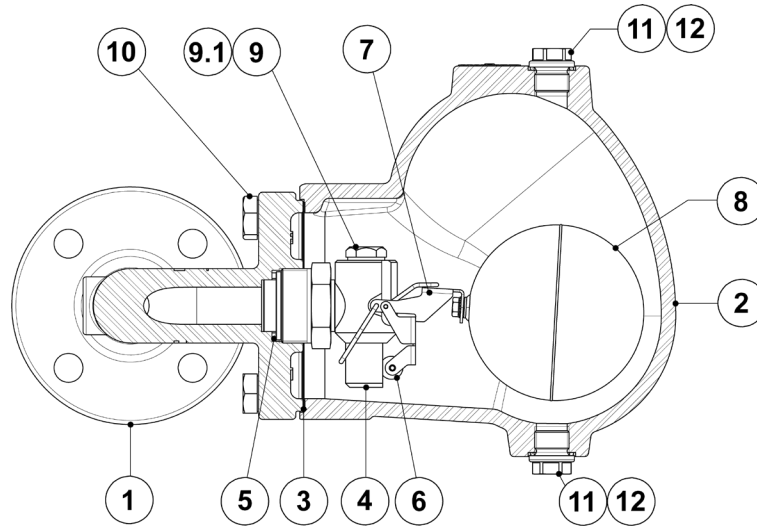
**DIMENSIONS (mm) – INLINE DESIGN**

SIZE	THREADED / SW							PN 40			CLASS 150			CLASS 300		
	A	B	C	D	E	H *	WGT. (kg)	F	G	WGT. (kg)	F	G	WGT. (kg)	F	G	WGT. (kg)
1" – DN 25	120	212	73	189	116	3/8"	8,9	160	264	12	160	264	11,9	160	264	12,6

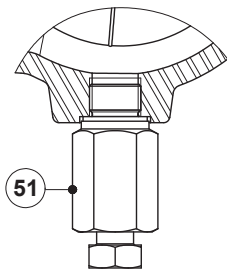
**DIMENSIONS (mm) – ANGLED DESIGN**

SIZE	THREADED / SW								PN 40			CLASS 150			CLASS 300		
	B	C	D	E	H *	I	L	WGT. (kg)	J	M	WGT. (kg)	J	M	WGT. (kg)	J	M	WGT. (kg)
1" – DN 25	212	73	189	116	3/8"	65	31	8,4	95	61	11	100	66	10,5	110	76	11,7

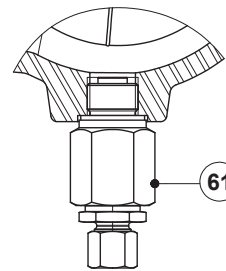
\* As standard, in versions with EN flanges or female ISO 7 Rp threads, these connections are female threaded ISO 228. In versions with ASME flanges, female NPT threads or SW, these connections are female threaded NPT.



FLL - Float lifting lever



BDV - Blowdown valve  
 (Manual)

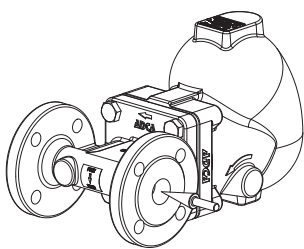


AFZ - Anti-freeze device  
 (Automatic)

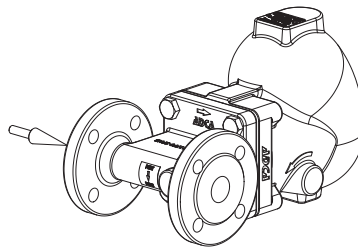
MATERIALS		
POS. N°	DESIGNATION	MATERIAL
1	Body (inline flanged)	A216 WCB / 1.0619
	Body (inline threaded)	P250GH / 1.0460
	Body (angled)	P250GH / 1.0460
2	Cover	A216 WCB / 1.0619
3	* Gasket	Stainless steel / Graphite
4	* Seat	AISI 303 / 1.4305
5	* Gasket	Copper
6	* Valve ball	AISI 316 / 1.4401; Viton
7	* Lever	AISI 304 / 1.4301
8	* Float	AISI 304 / 1.4301
9	Plug	AISI 316L / 1.4404
9.1	Gasket	Copper
10	Bolts	Zinc plated steel
11	Plug	AISI 316L / 1.4404
12	** Gasket	Copper; AISI 304 / 1.4301
31	Lever mechanism	AISI 303 / 1.4305 ; AISI 304 / 1.4301; AISI 316L / 1.4404
32	Packing	Graphite
33	Lever	Plastic
51	Blowdown valve	AISI 303 / 1.4305; AISI 316L / 1.4404
61	Anti-freeze device	AISI 303 / 1.4305; AISI 316L / 1.4404

\* Available spare parts; \*\* Not applicable in NPT version.

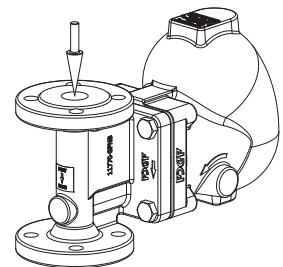
### FLOW DIRECTION



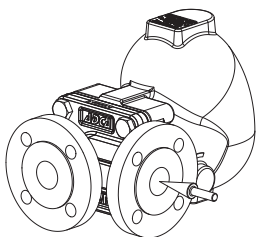
*IR - Horizontal from right to left*



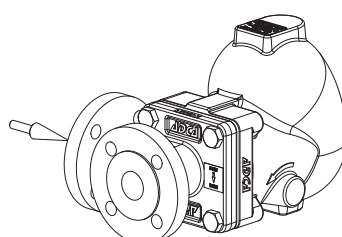
*IL - Horizontal from left to right*



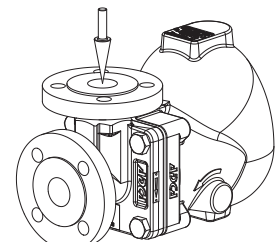
*IT - Vertical from top to bottom*



*AR - Angled from right to front*



*AL - Angled from left to front*



*AT - Angled from top to front*

ORDERING CODES FA35.1										
<b>Model</b>	<b>FA351</b>	<b>2</b>	<b>V</b>	<b>XX</b>	<b>X</b>	<b>IR</b>	<b>A</b>	<b>25</b>		
FA35.1 – carbon steel	<b>FA351</b>									
<b>Differential pressure</b>										
4,5 bar		<b>2</b>								
10 bar		<b>3</b>								
14 bar		<b>4</b>								
21 bar		<b>5</b>								
32 bar		<b>7</b>								
<b>Valve sealing</b>										
FPM / Viton (standard)			<b>V</b>							
Metal to metal			<b>M</b>							
<b>Cover connections</b>										
None				<b>XX</b>						
3/8" threaded connections on top and bottom, closed with plugs (mandatory if any options are considered)				<b>10</b>						
<b>Options</b>										
If any, these have specific separate ordering codes, please refer to the appropriate documentation.										
<b>FLL - Float lifting lever</b>										
None				<b>X</b>						
Lifting lever on the right side (when facing the steam trap body)				<b>R</b>						
Lifting lever on the left side (when facing the steam trap body)				<b>L</b>						
<b>Flow direction</b>										
Inline horizontal from right to left (standard)						<b>IR</b>				
Inline horizontal from left to right						<b>IL</b>				
Inline vertical from top to bottom						<b>IT</b>				
Angled from right to front						<b>AR</b>				
Angled from left to front						<b>AL</b>				
Angled from top to front						<b>AT</b>				
<b>Pipe connections</b>										
Female threaded ISO 7 Rp							<b>A</b>			
Female threaded NPT							<b>C</b>			
Socket weld (SW) ASME 16.11							<b>H</b>			
Flanged EN 1092-1 PN 40							<b>N</b>			
Flanged ASME B16.5 Class 150							<b>U</b>			
Flanged ASME B16.5 Class 300							<b>V</b>			
<b>Size</b>										
1" or DN 25								<b>25</b>		
<b>Special valves / Extras</b>										
Full description or additional codes have to be added in case of a non-standard combination										<b>E</b>