

FLOAT AND THERMOSTATIC STEAM TRAPS FLT80

DESCRIPTION

The FLT80S float and thermostatic steam traps series (with integral air vent) are designed for all types of low and high pressure steam heating and process equipment.

Typical applications include unit heaters, heat exchangers, driers, jacketed vessels and all the applications where continuous drainage is essential.

MAIN FEATURES

- Modulating discharge.
- Discharges condensate at steam temperature.
- Unaffected by sudden or wide load and pressure changes.
- Excellent air discharge (by thermostatic air vent).

OPTIONS: Equalizing plug or vent connection.

USE: Saturated and superheated steam.

AVAILABLE MODELS: FLT80S – carbon steel.

SIZES: 3" and 4"; DN 80 and DN 100.

CONNECTIONS: Flanged EN 1092-1 PN 16.
Flanged ASME B16.5 Class 150.

INSTALLATION: Horizontal standard installation with vertical inlet and horizontal outlet.
See IMI – Installation and maintenance instructions.



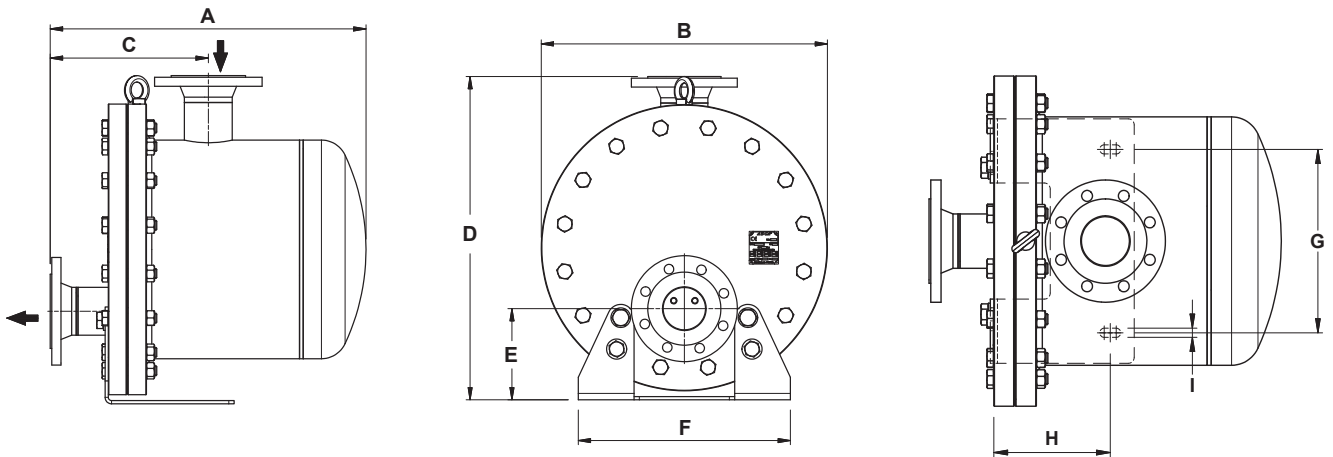
CE MARKING – GROUP 2 (PED – European Directive)

| PN 16 | Category |
|---------------------------|---------------|
| 3" and 4" – DN 80 and 100 | 2 (CE marked) |

| BODY LIMITING CONDITIONS * | |
|--|---------------------|
| FLANGED PN 16 / CLASS 150 ALLOWABLE PRESSURE | RELATED TEMPERATURE |
| 14,8 bar | 100 °C |
| 13,3 bar | 200 °C |
| 12,1 bar | 250 °C |
| 11 bar | 300 °C |

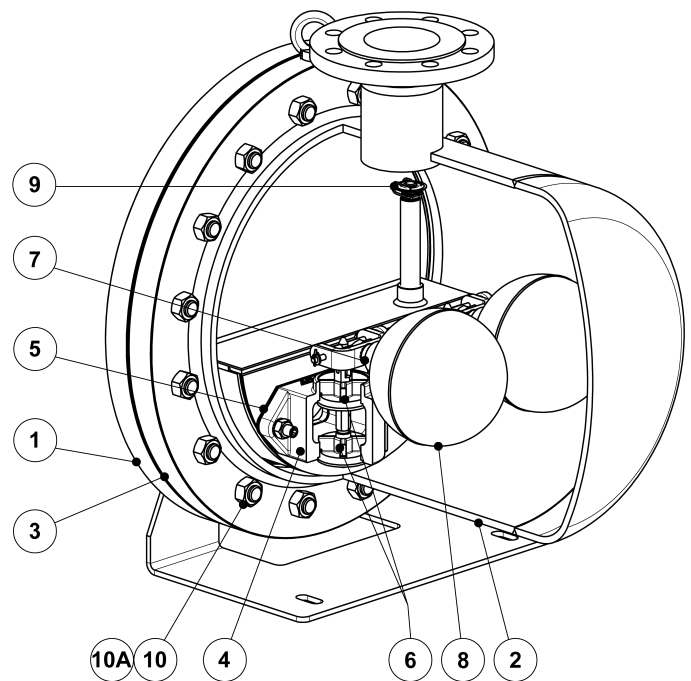
PMO – Max. operating pressure: 12 bar.
TMO – Max. operating temperature: 250 °C.
* According to EN 1092-1:2018.

| FLOW RATE CAPACITY (kg/h) | | | | | | | | | | | | | | | | | |
|---------------------------|--------------------------|-----------------------------|-------|-------|-------|-------|-------|-------|-------|-------|-------|-------|-------|-------|-------|-------|--------|
| MODEL | SIZE | DIFFERENTIAL PRESSURE (bar) | | | | | | | | | | | | | | | |
| | | 0,1 | 0,3 | 0,5 | 1 | 1,5 | 2 | 2,5 | 3 | 3,5 | 4 | 5 | 6 | 7 | 8 | 10 | 12 |
| FLT80S | 3" to 4" DN 80 to 100 | 37600 | 45400 | 49000 | 58000 | 62000 | 68000 | 74000 | 76000 | 79000 | 84000 | 87000 | 91000 | 94000 | 96000 | 99000 | 100000 |



| DIMENSIONS (mm) | | | | | | | | | | | | | |
|-----------------|-------------|------------|--------------|-----|------------|--------------|-----|-----|-----|-----|-----|----|----------------|
| MODEL | SIZE | A PN 16 | A CL. 150 | B | C PN 16 | C CL. 150 | D | E | F | G | H | I | WEIGHT (kg) |
| FLT80S | 3" – DN 80 | 587 | 607 | 540 | 294 | 314 | 610 | 172 | 400 | 300 | 194 | 15 | 159 |
| FLT80S | 4" – DN 100 | 634 | 658 | 540 | 341 | 365 | 610 | 172 | 400 | 300 | 194 | 15 | 161 |

| MATERIALS | | |
|-----------|----------------------|---|
| POS. N° | DESIGNATION | MATERIAL |
| 1 | Body | P235GH / 1.0345; P250GH / 1.0460; S235JR / 1.0038; S355JR / 1.0045; A105 / 1.0432 |
| 2 | Cover | P235GH / 1.0345; P250GH / 1.0460; P265GH / 1.0425; S355JR / 1.0045; A105 / 1.0432 |
| 3 | * Gasket | Stainless steel / Graphite |
| 4 | * Seat | A351 CF8 / 1.4308 |
| 5 | * Gasket | Stainless steel / Graphite |
| 6 | * Valve | AISI 420 / 1.4021; A351 CF8M / 1.4408 |
| 7 | * Lever | AISI 316 / 1.4401; AISI 304 / 1.4301 |
| 8 | * Float | AISI 304 / 1.4301 |
| 9 | * Automatic air vent | Stainless steel (thermostatic) |
| 10 | Bolts | Steel 8.8 |
| 10A | Nuts | Steel 8.8 |



* Available spare parts.