

## MAGNETIC LEVEL INDICATORS MLI

### DESCRIPTION

The MLI series of bypass type magnetic level indicators were designed for continuous level indication and/or control in ADCA ECRU units and other special SKID mounted packages.

The indicators can be equipped with multiple MSB reed switches for alarm purposes or a side mounted level transmitter for continuous level monitoring.

### MAIN FEATURES

Stainless steel construction.

Minimal leak points as compared to sight glasses.

No process media in contact with the indicator glass.

Continuous measurement of levels, independent of physical and chemical changes of the media: flashing, foaming, bubble formation, etc.

OPTIONS: MSB Magnetic bistable reed switches.

### AVAILABLE

MODELS: MLI16.

CONNECTIONS: Flanged EN 1092-1 PN 40.  
Flanged ASME B16.5 Class 300.

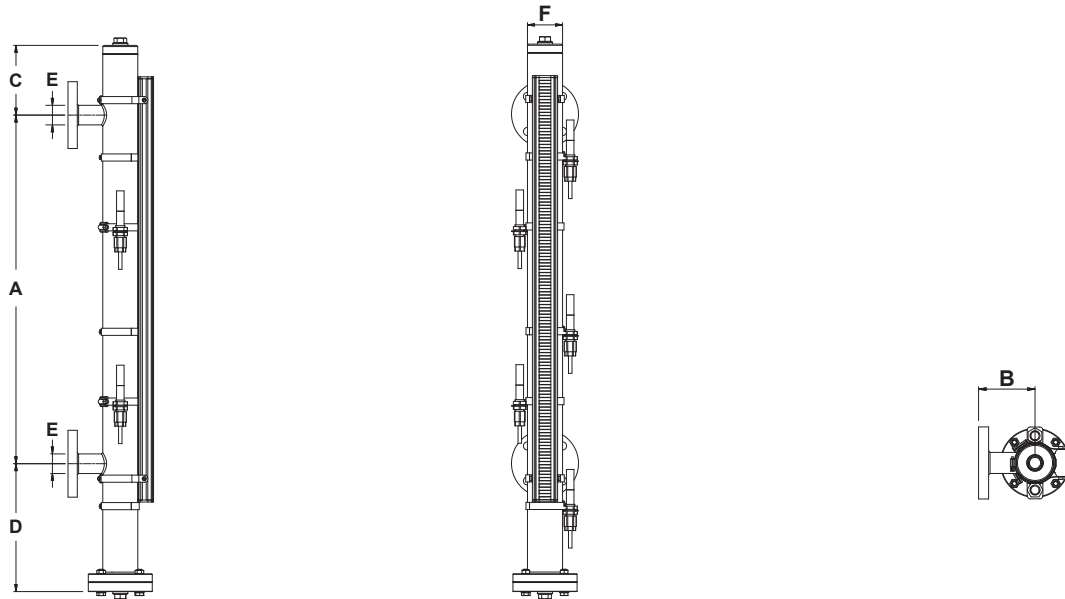
INSTALLATION: Always with the bottom cover pointing downwards.



CE MARKING – GROUP 2 (PED – European Directive)	
PN 40	Category
DN 25	1 (CE marked)

BODY LIMITING CONDITIONS *	
FLANGED PN 40 / CLASS 300 ALLOWABLE PRESSURE	RELATED TEMPERATURE
40 bar	50 °C
37,9 bar	100 °C
34,4 bar	150 °C
31,8 bar	200 °C

PMO – Maximum operating pressure: 30 bar;  
TMO – Maximum operating temperature: 200 °C.  
\* According to EN 1092-2:2018.



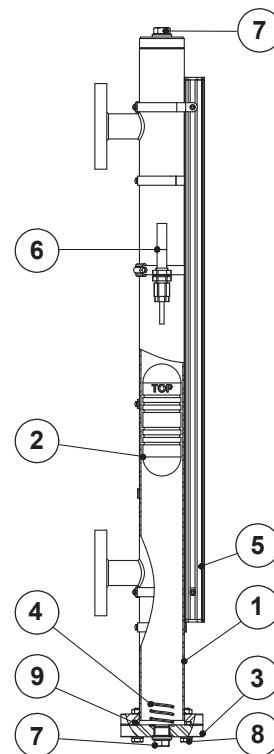
DIMENSIONS (mm)							
MODEL	A	B	C	D	E	F	WEIGHT (kg)
MLI350	350	90	120	220	DN 25 – 1"	60	7,53
MLI600	600	90	120	220	DN 25 – 1"	60	8,78

MATERIALS		
POS. N°	DESIGNATION	MATERIAL
1	Body	AISI 316 / 1.4401
2	* Float a)	AISI 316 / 1.4401
3	Bottom cover	AISI 316 / 1.4401
4	Float spring	AISI 302 / 1.4300
5	Indication rail	Aluminium with AISI 316 flaps
6	Magnet switch	Plastic
7	Plug	AISI 316L / 1.4404
8	Screws	AISI 304 / 1.4301
9	* O-ring	** Viton

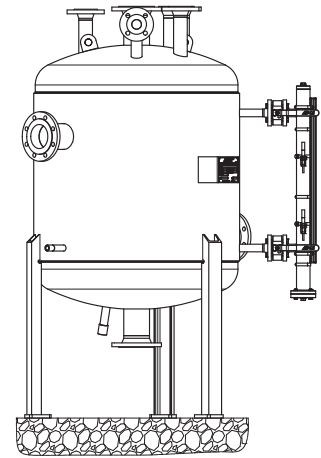
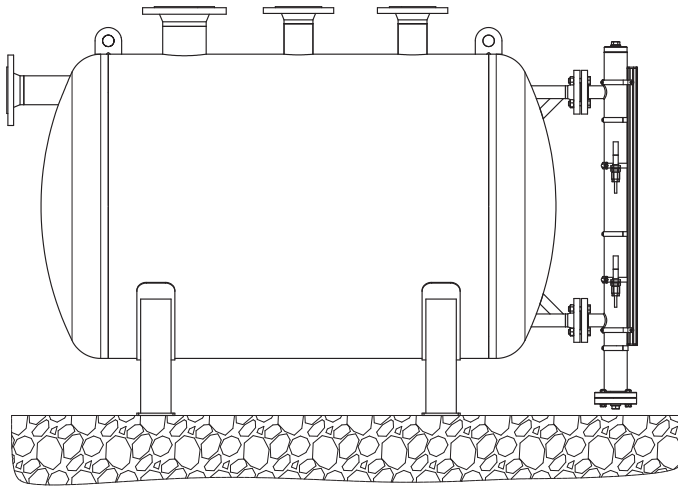
\* Available spare parts.

\*\* Others on request.

a) For fluid densities between 920 and 1075 kg/m3. Others on request.



**SIZING AND INSTALLATION**



**MAGNETIC SWITCHES**

The MSB are bistable magnetic change-over reed switches, pre-wired with a 2 m long 3 x 0,75 mm<sup>2</sup> cable. They can be fitted onto the level indicator body by means of stainless steel mounting brackets, included with each switch.

TECHNICAL DATA	
Level of protection	IP 67
Contacts	Fe/Ni with rhodium as contact
Ambient air temperature	-25 °C to 70 °C
Max. switching frequency	100 Hz
Max. switching performance	60 VA/W
Max. switching current	1,0 A
Max. switching voltage	250 V AC/DC
Switch-on time	4,5 ms
Drop-out time	7,0 ms

