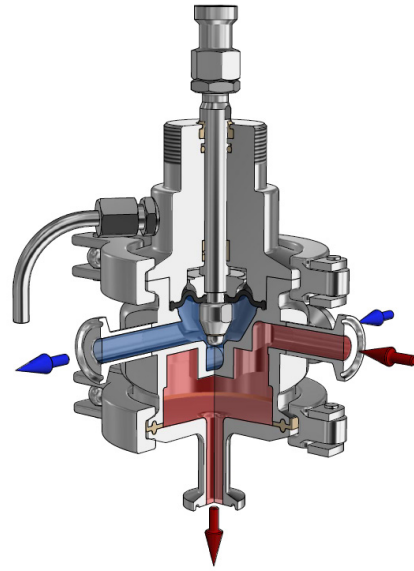
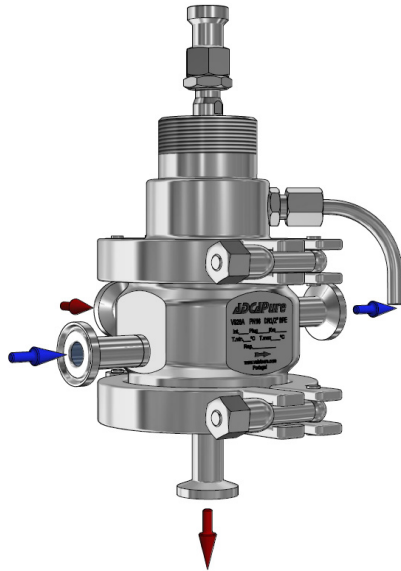


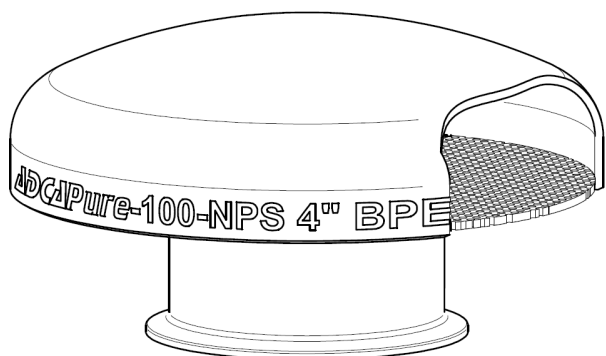
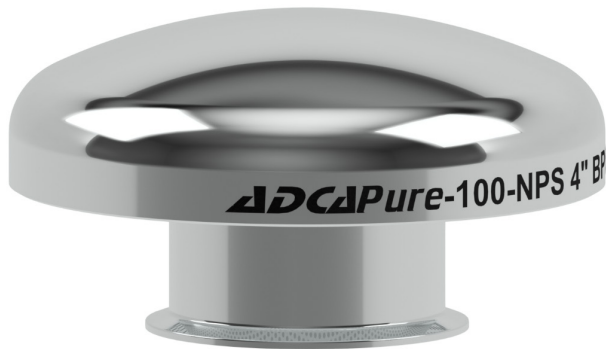
TAILOR MADE EQUIPMENT

CONTROL VALVE WITH HEATING JACKET



To maintain the required fluid temperature throughout the valve.

MUSHROOM STYLE AIR VENTS



Made in 316L / 1.4404 stainless steel. To be installed on tanks to prevent foreign materials from entering the tank.

CLEAN STEAM INJECTORS



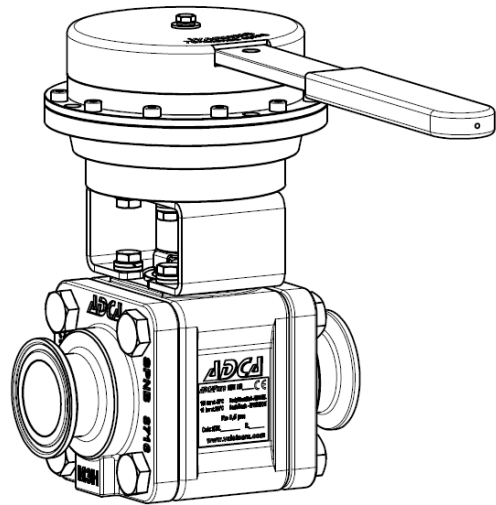
Made in 316L / 1.4404 stainless steel. Designed for direct water heating with clean steam.

DIRECT CLEAN STEAM INJECTION HUMIDIFIER



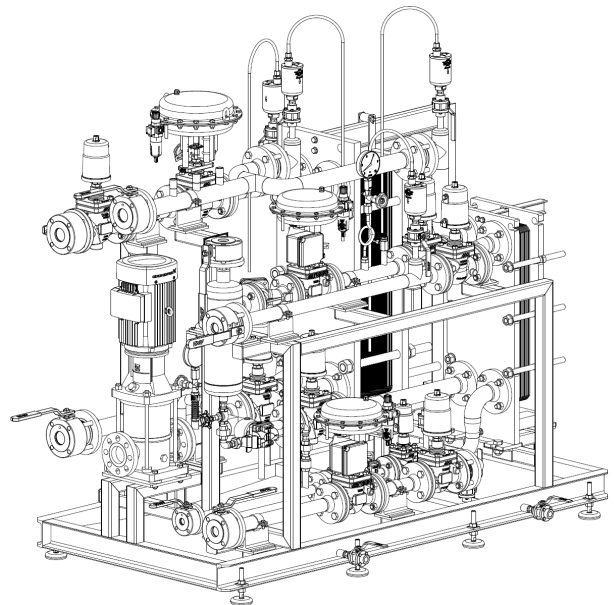
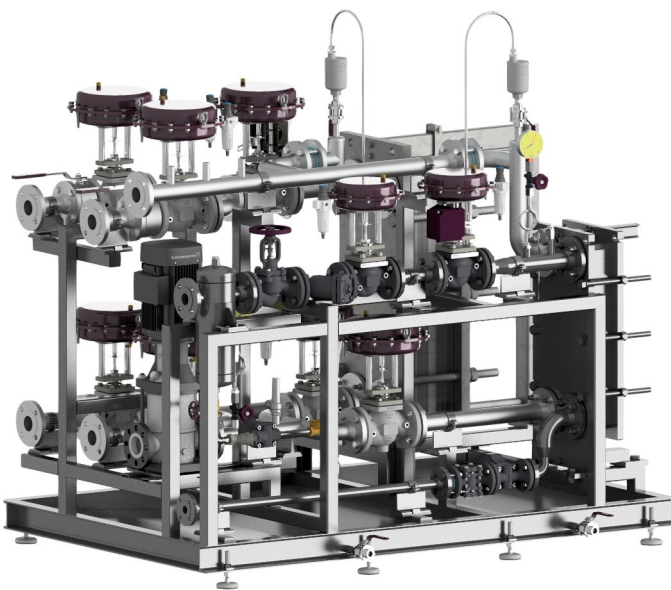
Made in 316L / 1.4404 stainless steel. Designed for direct fluid heating with clean steam.

“DEAD MAN” LEVER BALL VALVE



To switch the ball valve to a safe position (closed or open), as soon as the operator releases its handle.

SKID MOUNTED SYSTEMS



Compact and modular design, easy to transport and install skid mounted systems either for heating or cooling service.