

## PIPELINE T STRAINERS IS40T (ASME)

### DESCRIPTION

The IS40T cast steel T strainers are applicable to all types of steam, water, oil and air systems. Their purpose is to protect traps, regulating valves, piping, etc. from dirt and impurities, which are often the cause of damage and consequent energy loss of fluid systems.

**OPTIONS:** Different screen aperture sizes.  
 Drain plug or drain valve in strainer cap.

**USE:** Saturated steam, water, oil, air and other fluids compatible with the construction materials.

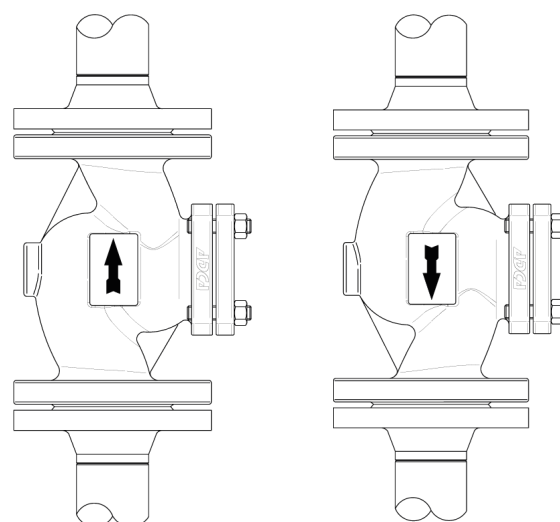
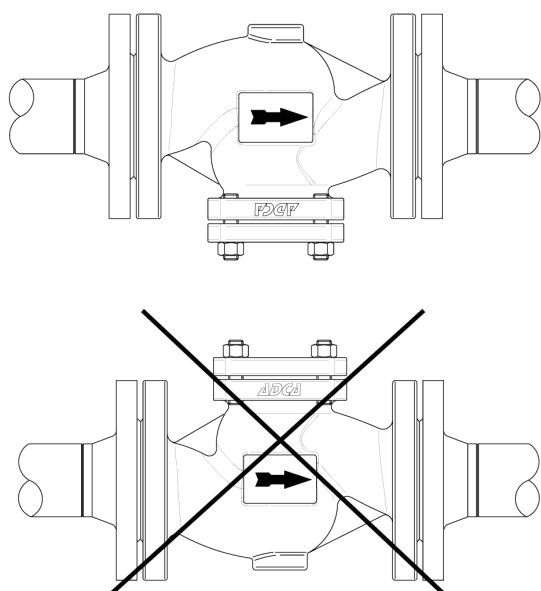
**AVAILABLE MODELS:** IS40TS – carbon steel.

**SIZES:** 1" to 4".

**SCREENS:** 0,5 mm aperture – 1".  
 1,5 mm aperture – from 1 1/2" to 3".  
 2 mm aperture – 4".

**CONNECTIONS:** Flanged ASME B16.5 Class 150 or 300.

**INSTALLATION:** Horizontal or vertical installation.  
 See IMI – Installation and maintenance instructions.



CE MARKING – GROUP 2 (PED – European Directive)		
CLASS 150	CLASS 300	Category
1" to 2"	1"	SEP
3" to 4"	1 1/2" to 4"	1 (CE marked)

**BODY LIMITING CONDITIONS \***

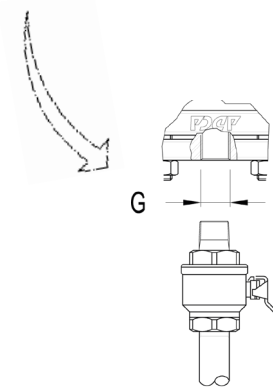
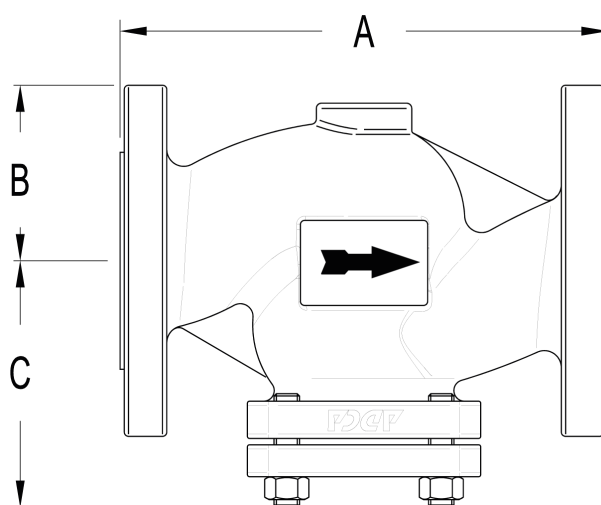
CLASS 150		CLASS 300	
ALLOWABLE PRESSURE	RELATED TEMPERATURE	ALLOWABLE PRESSURE	RELATED TEMPERATURE
19,3 bar	- 10 °C / 50 °C	50 bar	- 10 °C / 50 °C
15,8 bar	150 °C	43,9 bar	200 °C
12,1 bar	250 °C	36,9 bar	350 °C
8,4 bar	350 °C	34,6 bar	400 °C

\* Rating according to EN 1759-1:2004.

**DIMENSIONS (mm)**

SIZE	A	B		C	G *	WEIGHT (kg)
		CLASS 150	CLASS 300			
1"	197	54	62	80	1/2"	5,3
1 1/2"	235	63,5	78	105	1/2"	9,6
2"	267	76	82,5	115	1/2"	14
3"	317	95	105	155	1/2"	27,9
4"	368	114,5	127	165	1/2"	34,6

\* Others on request.



**MATERIALS**

POS. N°	DESIGNATION	MATERIAL
1	Body	A216 WCB / 1.0619; GP240GH / 1.0619
2	Centering ring	AISI 304 / 1.4301
3	Cover	AISI 304 / 1.4301
4	* Gasket	Stainless steel / Graphite
5	* Strainer screen	AISI 304 / 1.4301
6	Studs	Steel
7	Nuts	Steel

\* Available spare parts.

