

## FLOAT AND THERMOSTATIC STEAM TRAPS

### FLT32

#### (1"HC – DN 25HC)

#### DESCRIPTION

The FLT32 float and thermostatic (integral air vent) steam traps are designed for all types of low and high pressure steam heating and process equipment.

Typical applications include unit heaters, heat exchangers, driers, jacketed vessels and all the applications where continuous drainage is essential.

#### MAIN FEATURES

Modulating discharge.

Discharges condensate at steam temperature.

Unaffected by sudden or wide load and pressure changes.

Excellent air discharge (by thermostatic air vent).

OPTIONS: SLR – steam lock release.  
Equalizing plug or vent connection.

USE: Saturated and superheated steam.

#### AVAILABLE

MODELS: FLT32-4,5 , 10, 14 and 21 – carbon steel.

SIZES: 1"HC; DN 25HC.

CONNECTIONS: Female threaded ISO 7 Rp or NPT.  
Flanged EN 1092-1 PN 40.  
Flanged ASME B16.5 Class 150 or 300.  
Socket weld (SW) ASME 16.11.  
Butt weld (BW) ASME B16.25 on request.

INSTALLATION: Standard horizontal installation – from left to right (L-R). See IMI.  
On request: Horizontal installation with the flow from right to left (R-L) or vertical with the flow from top to bottom (V).

MAX. ΔP: FLT32-4,5 – 4,5 bar  
FLT32-10 – 10 bar  
FLT32-14 – 14 bar  
FLT32-21 – 21 bar



#### BODY LIMITING CONDITIONS

FLANGED PN 40 / CLASS 300 *	FLANGED CLASS 150 **	RELATED TEMP.
ALLOWABLE PRESSURE	ALLOWABLE PRESSURE	
37,1 bar	15,4 bar	100 °C
33,3 bar	13,8 bar	200 °C
30,4 bar	12,1 bar	250 °C
27,6 bar	10,2 bar	300 °C

PMO – Maximum operating pressure 32 bar;  
TMO – Maximum operating temperature 250 °C.

\* Acc. to EN 1092-1:2018; \*\* Acc. to EN 1759-1:2004.

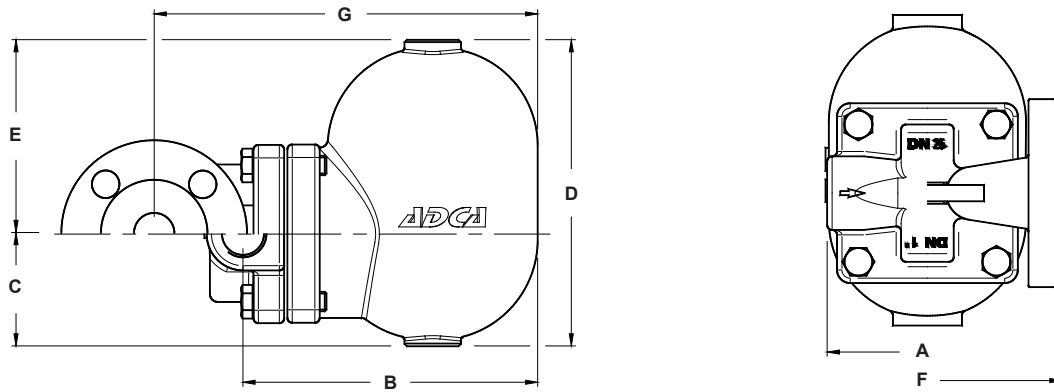
Body limiting conditions PN 40 or below, depending on the type of connection adopted. Rating PN 40 for threaded, SW and BW versions.

#### CE MARKING – GROUP 2 (PED – European Directive)

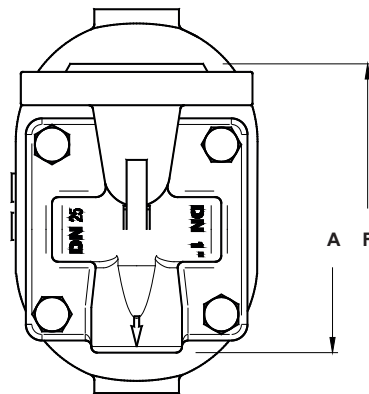
PN 40	Category
1"HC – DN 25HC	1 (CE marked)

#### FLOW RATE CAPACITY (kg/h)

MODEL	SIZE	DIFFERENTIAL PRESSURE (bar)														
		0,5	1	1,5	2	3	4,5	6	7	8	9	10	12	14	16	21
FLT32-4,5	1"HC – DN 25HC	900	1250	1450	1700	2010	2400	–	–	–	–	–	–	–	–	–
FLT32-10	1"HC – DN 25HC	450	620	790	880	1100	1250	1500	1600	1700	1750	1800	–	–	–	–
FLT32-14	1"HC – DN 25HC	340	435	530	600	610	850	990	1100	1190	1240	1300	1350	1380	–	–
FLT32-21	1"HC – DN 25HC	230	330	400	440	535	630	720	800	840	900	920	1020	1120	1260	1270



Horizontal Installation (L-R)



Vertical Installation (V)

DIMENSIONS (mm)																								
THREADED / SW							PN 40			PN 40 *			CLASS 150			CLASS 150 *			CLASS 300			CLASS 300 *		
SIZE	A	B	C	D	E	WGT. (kg)	F	G	WGT. (kg)	F	B	WGT. (kg)	F	G	WGT. (kg)	F	B	WGT. (kg)	F	G	WGT. (kg)	F	B	WGT. (kg)
1"HC DN 25HC	120	195	80	190	110	9	160	248	11,3	230	195	12	160	248	11	230	195	11,2	160	248	11,3	230	195	12,8

\* Alternative.

MATERIALS		
POS. N°	DESIGNATION	MATERIAL
1	Body	GP240GH / 1.0619
2	Cover	GP240GH / 1.0619
3	* Gasket	Stainless steel / Graphite
4	* Seat	AISI 410 / 1.4006
5	* Valve	AISI 440C / 1.4125
6	* Lever	AISI 304 / 1.4301
7	* Float	AISI 304 / 1.4301
8	* Air vent	Stainless st. (bimetallic)
9	Bolts	Steel 8.8

\* Available spare parts.

