

INSTALLATION AND MAINTENANCE INSTRUCTIONS FLOAT & THERMOSTATIC STEAM TRAPS FLT17

GENERAL

- These instructions must be carefully read before any work involving products supplied by VALSTEAM ADCA ENGINEERING S.A. is undertaken.
- The installation procedure is a critical stage in a life of a steam trap and care should be taken to avoid damage to the trap or equipment.

Warning!

- At start up, the presence of small particles in the water (dirt, scale, weld splatters, etc) may cause an imperfect closure of the seat. If this occurs, proceed to an accurate cleaning.
- Do not touch the equipment without appropriate protection during working operation because it may conduct heat if the used fluid is at high temperature.
- Before starting maintenance be sure that the equipment is not pressurized or hot.
- The equipments must be used within the working temperature and pressure limits laid down for them, otherwise they may fail (refer to nameplate and/or IS- Information Sheet).
- Do not remove the nameplate attached to the equipment. Serial number and other useful information is stamped on it.

INSTALLATION



- Before to install remove plastic covers placed on flanges or connection ends. The equipment has an arrow or Inlet/Outlet designations. Be sure that it will be installed on the appropriate direction.
- Install the steam trap in the point of the system, where the condensate tends to collect. It must be installed with the float lever in horizontal plane, so that it rises and falls vertically. An ADCA strainer should be installed upstream of the trap.

BODY LIMITING CONDITIONS		
FLANGED PN16 *	FLANGED ANSI 150 lb **	RELATED TEMPERATURE
ALLOWABLE PRESSURE	ALLOWABLE PRESSURE	
16 bar	15,4 bar	100 °C
15,5 bar	14,6 bar	150 °C
14,7 bar	13,8 bar	200 °C
13,9 bar	12,1 bar	250 °C

PMO – Max. operating pressure 14 bar

TMO – Max. operating temperature 198 °C

*Acc. to EN1092-2:2007 ; **Acc. to EN1759-1:2004

Body limiting conditions PN16 or below, depending on the type of connection adopted. PN16 for thread.

MAX. DIFFERENTIAL PRESSURE	
FLT 17-4,5	4,5 bar
FLT 17-10	10 bar
FLT 17-14	14 bar

CE Marking:

This product has been designed for use on water and steam which are in Group 2 of the European PED-Pressure Equipment Directive in use and it complies with those requirements. The product fall within category SEP and must not be CE marked.

GROUP 2 GASES CATEGORY		
MODEL	SIZES	CATEGORY
FLT17	ALL	SEP
FLT17HC	DN 25	SEP

Installation area requirements:

- The installation area should have easy access and provide enough space for maintenance and removing operations.
- The installation area should have the necessary firing system to prevent damage of the equipment due to over temperature/pressure cause by fire.

MAINTENANCE

- We recommend that the float steam traps are serviced as necessary. Steam traps should be checked periodically (at least yearly), to verify that they are operating correctly and to clean the internal parts and screen (if any).
- When reassembling make sure that all gasket faces are clean and always use a new gasket. Tighten cover bolts uniformly in a diagonal sequence.
- For further information refer to the relevant FLT17 brochure or consult our Sales Office.

TROUBLESHOOTING



ATTENTION

- If the malfunctions cannot be solved with the help of the following chart, please consult the manufacturer.
- Some of these faults may only occur in some models.

TROUBLE SHOOTING CHART

FAULT	POSSIBLE REASON	SOLUTION
Continuous steam discharge	Damaged seat.	Substitute seat.
	Incorrect installation.	check the installation position (see IMI 1.344 E 08.03).
The condensate isn't discharged Or not enough discharged	Obstructed strainer.	Proceed to an accurate clean and identify the possible reason of contamination.
	Inadequate pressure differential.	Check the steam trap D.P. and substitute.

	Excessive back pressure.	Replace the steam trap by a superior DN or use ADCAMAT.
	Damaged float.	Replace.
Temporary condensate accumulation	Steam blocking.	Use a steam trap with SLR.
	Downsizing.	Check maximum flow rate (during start-up)
Slow initial start up	Damaged air eliminator.	Replace.
	The air flow is too high for the trap.	Install an additional air eliminator.
	Downsizing.	Check maximum flow rate (during start-up)

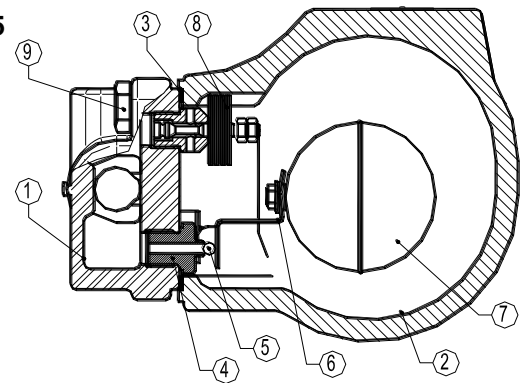
PARTS LIST FOR FLT 17 - STEAM TRAPS DN 1/2" - 1", DN15-DN25

CODE	DESIGNATION	TRAP SIZE	POS.NR.	QTY.
		DN		
A.92.1502.015	Valve, seat, float & gasket D.P.4,5bar	DN1/2"-1"	3, 4, 5, 6, 7	1Set
A.92.1503.015	Valve, seat, float & gasket D.P.10 bar	DN1/2"-1"	3, 4, 5, 6, 7	1Set
A.92.1504.015	Valve, seat, float & gasket D.P.14 bar	DN1/2"-1"	3, 4, 5, 6, 7	1Set
A.92.1502.115	Float & gasket	DN1/2"-1"	3, 7	1Set
A.92.1502.215	Air vent & gasket	DN1/2"-1"	3, 8	1Set

Recommended tightening torques FLT17 DN 1/2"-1", DN15-DN25

POS.NR.	TRAP SIZE	Nm
	DN	
4	1/2"-1"	50±5
8	1/2"-1"	50±5
9	1/2"-1"	70±5

Remarks: Tighten cover bolts uniformly.



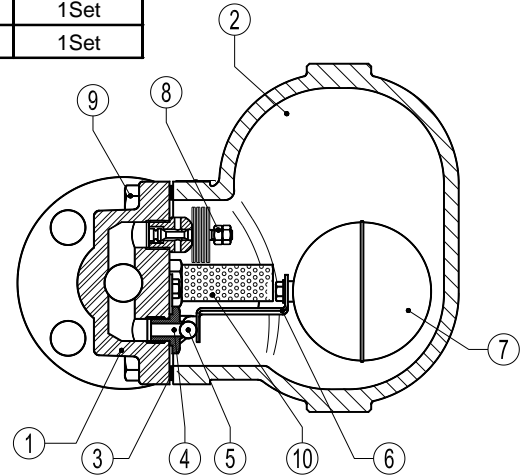
PARTS LIST FOR FLT 17HC STEAM TRAPS DN 1", DN25

CODE	DESIGNATION	TRAP SIZE	POS.NR.	QTY.
		DN		
A.92.1502.025	Valve, seat, float & gasket D.P.4,5bar	DN1"	3, 4, 5, 6, 7	1Set
A.92.1503.02	Valve, seat, float & gasket D.P.10 bar	DN1"	3, 4, 5, 6, 7	1Set
A.92.1504.025	Valve, seat, float & gasket D.P.14 bar	DN1"	3, 4, 5, 6, 7	1Set
A.92.1502.125	Float & gasket	DN1"	3, 7	1Set
A.92.1502.225	Air vent & gasket	DN1"	3, 8	1Set

Recommended tightening torques FLT17HC DN 1", DN25

POS.NR.	TRAP SIZE	Nm
	DN	
4	1"	50±5
8	1"	50±5
9	1"	80±5

Remarks: Tighten cover bolts uniformly.



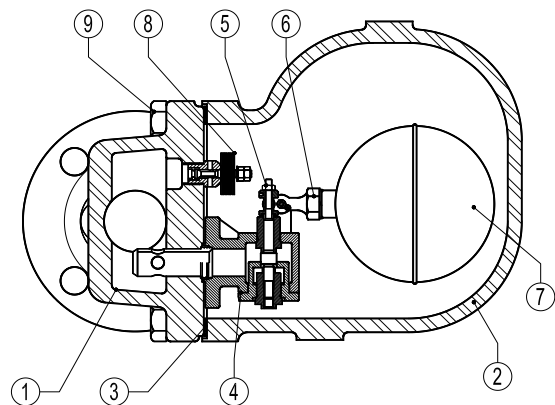
PARTS LIST FOR FLT 17 STEAM TRAPS DN 1 1/2"-2", DN40-50

CODE	DESIGNATION	TRAP SIZE	POS.NR.	QTY.
		DN		
A.92.1502.040	Valve, seat, float & gasket D.P.4,5bar	DN1 1/2"-2"	3, 4, 5, 6, 7	1Set
A.92.1503.040	Valve, seat, float & gasket D.P.10 bar	DN1 1/2"-2"	3, 4, 5, 6, 7	1Set
A.92.1504.040	Valve, seat, float & gasket D.P.14 bar	DN1 1/2"-2"	3, 4, 5, 6, 7	1Set
A.92.1502.140	Float & gasket	DN1 1/2"-2"	3, 7	1Set
A.92.1502.240	Air vent & gasket	DN1 1/2"-2"	3, 8	1Set

Recommended tightening torques FLT17 DN 1 1/2"-2", DN 40-50

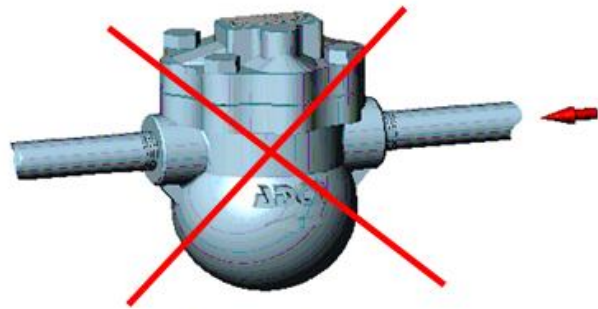
POS.NR.	TRAP SIZE	Nm
	DN	
4	DN1 1/2"-2"	10-15 (4xM16)
8	DN1 1/2"-2"	50±5
9	DN1 1/2"-2"	85±5

Remarks: Tighten cover bolts uniformly.





Correct Installation



Wrong Installation



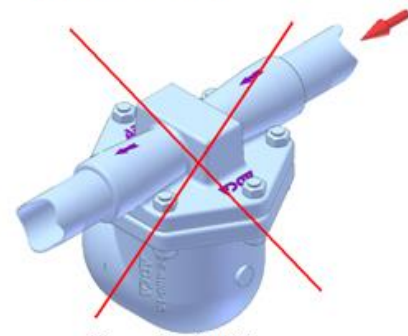
Correct Installation



Wrong Installation



Correct Installation



Wrong Installation

PRODUCTS RETURNING



ATTENTION

- Information regarding any hazards and precautions to be considered because of contaminating fluids and residues or mechanical damage that may represent a health, safety or environmental risk, must be provided in writing by the distributors and costumers when returning products to Valsteam ADCA engineering.
- Health and safety data sheets regarding substances identified as hazardous or potentially hazardous must be provided with the information mention above.



ATTENTION

- **LOSS OF WARRANTY:** Total or partial disregard of above instructions involves loss of any right to warranty.