

SANITARY CHECK VALVE SRT10

DESCRIPTION

The SRT10 all stainless steel disc check valve has a compact design and is specially designed for use with clean steam, hot condensate and other process fluid applications. They are particularly recommended for high purity applications.

MAIN FEATURES

Compact design.
Completely machined from bar stock material, no castings or forgings are used on the standard version.

STANDARD SURFACE FINISH

Internal wetted parts: $\leq 0,51$ micron Ra – SF1.
External: $\leq 0,76$ micron Ra – SF3.
Other surface conditions see IS PV20.00 E – Technical information.
Ultrasonic cleaning.

USE: Clean steam, water and other gases and liquids compatible with the construction.

AVAILABLE MODELS: SRT10 – Vertical installation.
SRTH10 – Horizontal installation.

SIZES: 1/2" to 4".

CONNECTIONS: ASME BPE clamp ferrules or tube weld (ETO) ends.
Others on request.

PACKAGING: Assembling and packaging in a clean room certified according to ISO 14644-1.
The product is end capped and sealed with recyclable thermo-shrinkable plastic film, to avoid contamination.

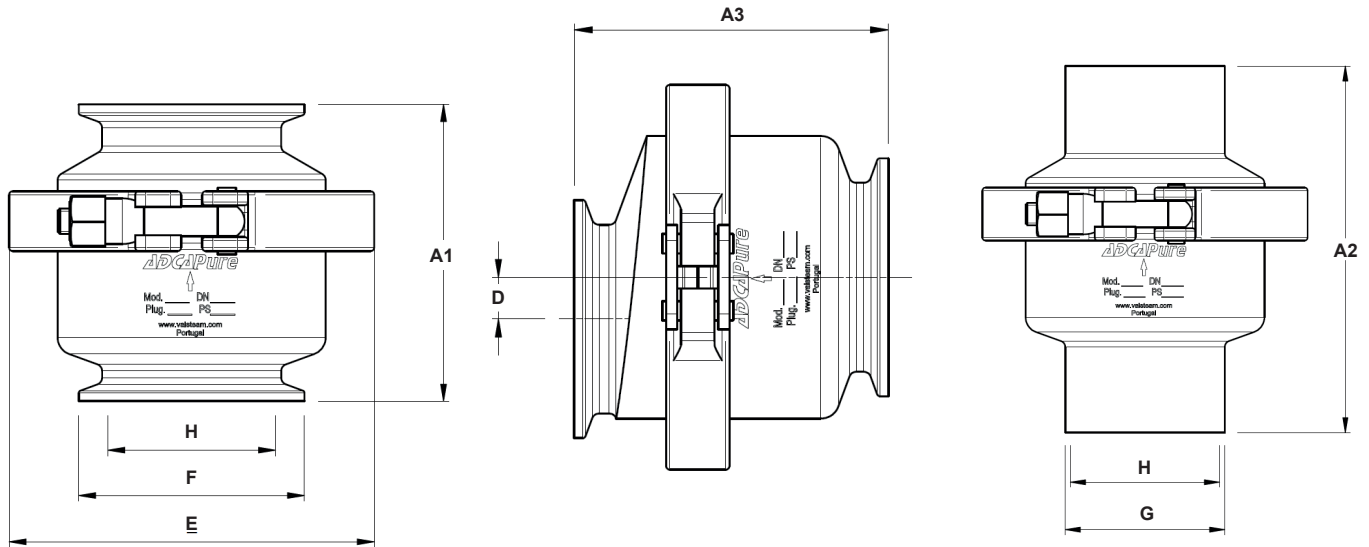
INSTALLATION: Vertical or horizontal according to the selected model and type of fluid.
See IMI – Installation and maintenance instructions.



CE MARKING – GROUP 2 (PED – European Directive)	
Size	Category
1/2" to 4"	SEP

LIMITING CONDITIONS	
Body design conditions	PN 10
Maximum operating temperature (steam and water) – EPDM seals *	180 °C
Maximum operating temperature (air and other gases) – EPDM seals	150 °C
Maximum operating temperature – PTFE seals	200 °C
Minimum operating temperature	- 10 °C

* High performance EPDM. Maximum operating temperature of 210 °C, for short periods of time.



DIMENSIONS (mm) ASME BPE

SIZE	A1	A2	A3	D	E	F	G	H	WEIGHT (kg)
1/2"	50	95	50	11,8	61	25	12,7	9,4	0,4
3/4"	50	95	50	8,6	61	25	19,05	15,8	0,5
1"	60	98	60	5,5	61	50,5	25,4	22,1	0,6
1 1/2"	69	109	69	11,1	90	50,5	38,1	34,8	1,1
2"	84	78	122	11,3	104	64	50,8	47,5	1,4
2 1/2"	89	92	89	9,9	119	77,5	63,5	60,2	1,8
3"	98	133	98	11,1	134	91	76,2	72,9	2,6
4"	109	144	109	14,3	170	119	101,6	97,38	4,9

Remarks: Face to face dimensions are not standardized. Different dimensions available on request.

MATERIALS

POS. N°	DESIGNATION	MATERIAL
1	Valve inlet body	AISI 316L / 1.4404
2	Valve outlet body	AISI 316L / 1.4404
3	Guide plate	AISI 316L / 1.4404
4	Spring	AISI 316 / 1.4401 electropolished
5	* Valve and stem	AISI 316L / 1.4404
6	* Valve seal	High performance EPDM **
		PTFE **
7	* Body seals	High performance EPDM **
		PTFE **
8	Safety clamp	AISI 316 / 1.4401
9	Plain bearing	PTFE

* Available spare parts ; ** Others available on request.

Remarks: FDA / USP Class VI seals certificate on request.

All valves have a serial number. In case of non-standard valves, this number must be supplied if spare parts are ordered.

